

| Description | 2" Valve | 3" Valve | 4" Valve |
|------------------------|-------------|-------------|-------------|
| | Part Number | Part Number | Part Number |
| Base Valve, 10-40 psi | 12255-0001 | 12239-0090 | 12531-0001 |
| Base Valve, 18-80 psi | 12255-0002 | 12239-0001 | 12531-0002 |
| Base Valve, 30-150 psi | 12255-0003 | 12239-0091 | 12531-0003 |
| Sleeve, 10-40 psi | 11624-002 | 11909-002 | 12516-002 |
| Sleeve, 18-80 psi | 11624-003 | 11909-003 | 12516-003 |
| Sleeve, 30-150 psi | 11624-001 | 11909-001 | 12516-001 |
| Spacer Assy. | 12236 | 12349 | 12528 |
| Cage/Barrier Assy. | 11630 | 12348 | 12529 |
| O-Ring | 12352 | 9484 | 11416 |
| Jacket | 12767 | 12766 | 13109 |



CONNECTIONS & STUD KITS

| Code | Connection Type | Connection Part Number | Stud Dia. | Stud Length | Nuts (Qty) | Stud Kit Part Number | Torque |
|----------------------------------|--------------------------------------|------------------------|---|-----------------|------------|----------------------|-----------|
| CONNECTIONS FOR 2" VALVES | | | STUD KITS FOR 2" INLINE VALVES | | | | |
| B02 | 2" FNPT (metal) | 10356PV | 1/2" (12 mm) | 8.25" (210 mm) | 8 | 10142-101 | 20 ft-lbs |
| B03 | 2" PVC Socket | 12334 | 1/2" (12 mm) | 9.75" (248 mm) | 8 | 10142-102 | 25 ft-lbs |
| B04 | Wafer 3x2x3 (no stud kit) | (see below) | - | - | - | - | 20 ft-lbs |
| B05 | 2" Victaulic | 12165 | 5/16" (8 mm) | 7.5" (190 mm) | 8 | 12264-002 | 60 in-lbs |
| B06 | 3" Victaulic (3x2x3) | 12163 | 5/16" (8 mm) | 7.5" (190 mm) | 8 | 12264-002 | 60 in-lbs |
| B08 | 2" FNPT (plastic) | 12156 | 5/16" (8 mm) | 7.5" (190 mm) | 8 | 12264-002 | 60 in-lbs |
| B09 | 3" OD Spline (Certa-Set) | 11635 | 5/16" (8 mm) | 7.5" (190 mm) | 8 | 12264-002 | 60 in-lbs |
| B14 | 2" FBSP (plastic) | 12475 | 5/16" (8 mm) | 7.5" (190 mm) | 8 | 12264-002 | 60 in-lbs |
| B16 | 3" PVC Socket (3x2x3 adapter) | 12489 (see below) | 1/2" (12 mm) | 10.75" (273 mm) | 8 | 10142-103 | 20 ft-lbs |
| B17 | Wafer w/stud kit for 2" flanges | - | 1/2" (12 mm) | 9.75" (248 mm) | 8 | 10142-102 | 25 ft-lbs |
| B19 | Wafer w/stud kit for 75/100 Big Gun® | - | 1/2" (12 mm) | 8.25" (210 mm) | 4 | 10142-001PV | 20 ft-lbs |
| B21 | Wafer 3x2x3 (with stud kit) | (see below) | 1/2" (12 mm) | 11.5" (292 mm) | 8 | 10142-104 | 20 ft-lbs |
| CONNECTIONS FOR 3" VALVES | | | STUD KITS FOR 3" INLINE VALVES | | | | |
| B15 | 3" PVC Socket | 12489 | 1/2" (12 mm) | 10.75" (273 mm) | 8 | 10142-103 | 20 ft-lbs |
| B18 | Wafer w/stud kit for 3" flanges | - | 1/2" (12 mm) | 11.5" (292 mm) | 8 | 10142-104 | 20 ft-lbs |
| B20 | Wafer w/stud kit for 150 Big Gun® | - | 1/2" (12 mm) | 9.75" (248 mm) | 4 | 10142-002PV | 20 ft-lbs |
| B22 | Wafer 4x3x4 w/stud kit | (see below) | 1/2" (12 mm) | 12" (305 mm) | 8 | 10142-105 | 20 ft-lbs |
| B23 | Wafer 4x3x4 (no stud kit) | (see below) | - | - | - | - | 20 ft-lbs |
| B24 | 3" Victaulic | 12785 | 1/2" (12 mm) | 10.75" (273 mm) | 8 | 10142-103 | 20 ft-lbs |
| B25 | 4" PVC Socket (4x3x4 adapter) | 12515 (see below) | 1/2" (12 mm) | 11.5" (292 mm) | 8 | 10142-104 | 20 ft-lbs |
| CONNECTIONS FOR 4" VALVES | | | STUD KITS FOR 4" INLINE VALVES | | | | |
| B26 | 4" PVC Socket | 12515 | 1/2" (12 mm) | 11.5" (292 mm) | 8 | 10142-104 | 20 ft-lbs |
| B27 | Wafer w/stud kit for 4" flanges | - | 1/2" (12 mm) | 12" (305 mm) | 16 | 10142-205 | 20 ft-lbs |
| B29 | Wafer 6x4x6 w/stud kit | (see below) | 3/4" (19 mm) | 13.5" (343 mm) | 16 | 8976PV | 30 ft-lbs |
| B30 | Wafer 6x4x6 (no stud kit) | (see below) | - | - | - | - | 30 ft-lbs |
| B31 | 6" PVC Socket (6x4x6) | Coming Soon | - | - | - | Coming Soon | 30 ft-lbs |
| B32 | 4" Victaulic | 12824 | 1/2" (12 mm) | 11.5" (292 mm) | 8 | 10142-104 | 20 ft-lbs |
| FLANGE ADAPTERS | | | STUD KITS FOR USE WITH FLANGE ADAPTERS | | | | |
| B04, B16, B21 | 3x2x3 Flange Adapter | 12167 | (see above) | | | | 20 ft-lbs |
| B22, B23, B25 | 4x3x4 Flange Adapter | 12518 | (see above) | | | | 20 ft-lbs |
| B29, B30, B31 | 6x4x6 Flange Adapter | 12991 | (see above) | | | | 30 ft-lbs |

Flange Adapter Kits

—effective way of installing a Nelson 1000 Series valve in the next larger pipe size. (Includes stud kit and two flange adapters. The 6x4x6 kit also includes mounting hardware.)

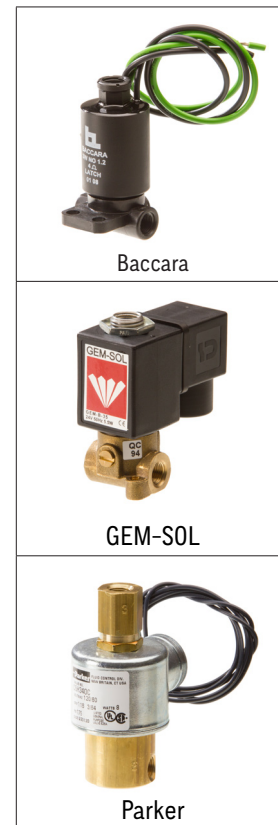
| Description | Stud Dia. | Stud Length | Nuts (QTY) | Part # |
|-------------------------------------|--------------|----------------|------------|--------|
| Stud Kit with 3x2x3 flange adapters | 1/2" (12 mm) | 11.5" (292 mm) | 8 | 12323 |
| Stud Kit with 6x4x6 flange adapters | 3/4" (19 mm) | 13.5" (343 mm) | 16 | 13065 |

ACCESSORIES — SOLENOIDS

3-Way Solenoid Specifications

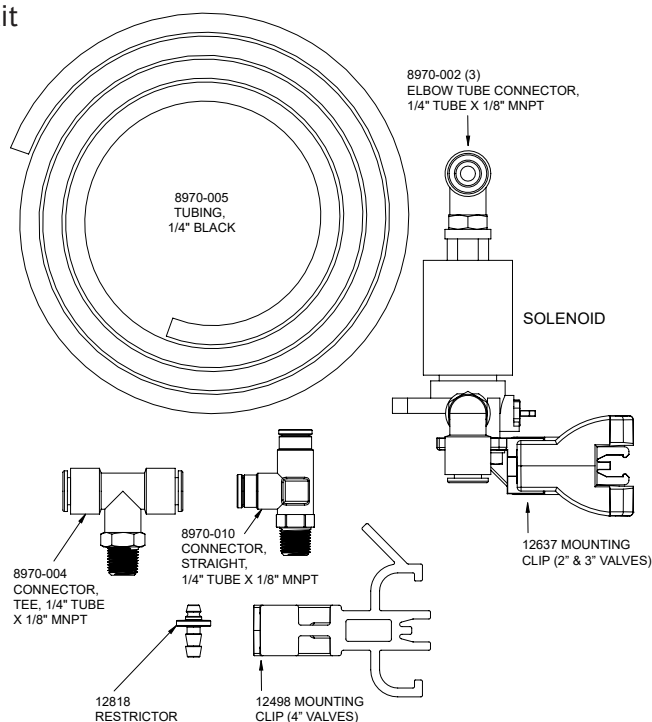
(For Electric On-Off choose from DC, DC Latching or AC Solenoids.)

| Model # | Manufacturer | Voltage ¹ | Inrush Amps | Holding Amps | Resistance (ohm) | Watts | Inlet Orifice | Electrical Connection | Kit Part Number |
|---------|--------------|----------------------|-------------|--------------|------------------|-------|----------------|-----------------------|-----------------|
| E11 | GEM-SOL | 12VDC | - | 0.83 | 14.3 | 10 | 1/16" (1.6 mm) | 1/2" FNPT w/Leads | 12575-011* |
| E23 | BACCARA | 9/12 VDC Lat | - | - | 4.2 | 3 | 3/64" (1.2 mm) | >12" Leads | 12575-023 |
| E29 | — | 12-40 VDC Lat | - | - | - | - | 5/64" (2.0 mm) | 47" Leads | 12575-029 |
| E31 | BACCARA | 12-24 VDC Lat | - | - | 23 | 3 | 3/64" (1.2 mm) | Window+ Controller | 11253-003 |
| E34 | BACCARA | 24 VDC | 0.125 | 0.125 | 119 | 3 | 3/64" (1.2 mm) | >12" Leads | 12575-034 |
| E40 | GEM-SOL | 24 VAC | 0.15 | 0.15 | - | 2.5 | 1/16" (1.6 mm) | 1/2" FNPT Plug-In | 12575-040 |
| E43 | BACCARA | 24 VAC | 0.125 | 0.125 | - | 3 | 3/64" (1.2 mm) | >12" Leads | 12575-043 |
| E46 | GEM-SOL | 24 VAC | 0.8 | 0.43 | 9 | 5.5 | 1/16" (1.6 mm) | 1/2" FNPT Plug-In | 12575-046 |
| E50 | PARKER | 120 VAC | 0.2 | 0.1 | 184 | 8 | 1/16" (1.6 mm) | 1/2" FNPT w/Leads | 12575-050 |
| E53 | GEM-SOL | 110 VAC | 0.15 | 0.11 | 230 | 5.5 | 1/16" (1.6 mm) | 1/2" FNPT Plug-In | 12575-053 |



*Normally closed solenoid – use only with plumbing logic L02, L04, L05, or L08.

Solenoid Kit



| Kit* | Part Number |
|------|-------------|
| E11 | 12575-011 |
| E21 | 12575-021 |
| E23 | 12575-023 |
| E29 | 12575-029 |
| E34 | 12575-034 |
| E40 | 12575-040 |
| E41 | 12575-041 |
| E43 | 12575-043 |
| E46 | 12575-046 |
| E50 | 12575-050 |
| E53 | 12575-053 |

ACCESSORIES – PRESSURE CONTROLS

Pressure Control

| Function | Adjustment Range | For 2" Valves ¹ | | For 3" Valves ² | |
|------------|------------------|----------------------------|------------------|----------------------------|------------------|
| | | Pilot Part Number | Kit* Part Number | Pilot Part Number | Kit* Part Number |
| Reducing | 5-30 psi | 12342-009 | 12262-006 | 12342-003 | 12262-003 |
| Reducing | 5-60 psi | 12342-007 | 12262-004 | 12342-001 | 12262-001 |
| Reducing | 10-120 psi | 12342-008 | 12262-005 | 12342-002 | 12262-002 |
| Sustaining | 5-60 psi | 12342-010 | 12262-010 | 12342-004 | 12262-007 |
| Sustaining | 10-120 psi | 12342-011 | 12262-011 | 12342-005 | 12262-008 |



*Kit includes mounting clip and all necessary fittings/parts for retrofitting an existing Nelson 1000 Series Valve.

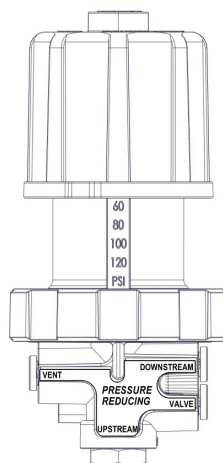
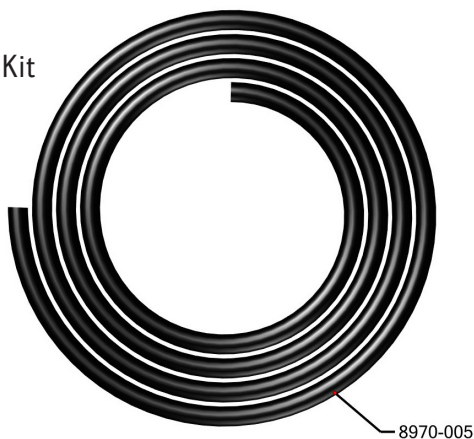


1. Pressure control pilot for 2" valves contains a bushing with 1 hole (hex retainer painted gray) – 12798-001.

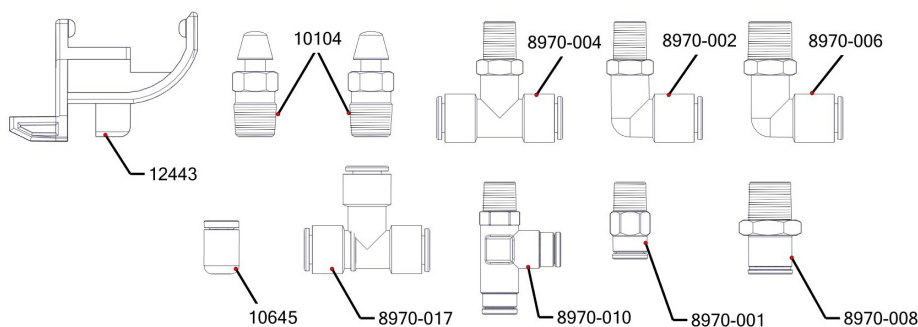


2. Pressure control pilot for 3" valves contains a bushing with 4 holes (hex retainer is brass, unpainted) – 12798.

Pressure Reducing Kit



| Description | Part Number |
|---|-------------|
| 1/4" Valve Stem (Schrader) | 10104 |
| Restrictor | 10645 |
| Mounting Clip | 12443 |
| Straight Tube Connector (1/4" Tube x 1/8" MNPT) | 8970-001 |
| Elbow Connector (1/4" Tube x 1/8" MNPT) | 8970-002 |
| Tee Connector (1/4" Tube x MNPT) | 8970-004 |
| 1/4" Plastic Tubing (2.5') | 8970-005 |
| Elbow Connector (1/4" Tube x 1/4" MNPT) | 8970-006 |
| Straight Connector (1/4" Tube x 1/4" MNPT) | 8970-008 |
| Male Run Tee Connector (1/4" Tube x 1/8" MNPT) | 8970-010 |
| 1/4" Tube Union Tee | 8970-017 |



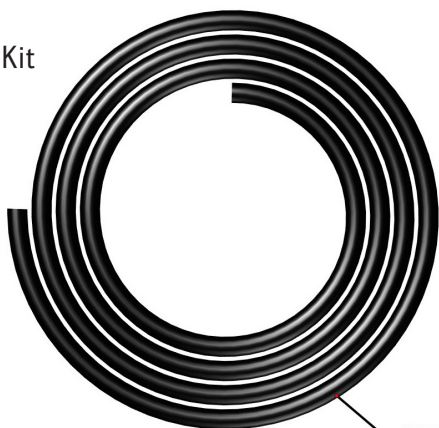


1000 SERIES – PARTS & ASSEMBLY DRAWINGS

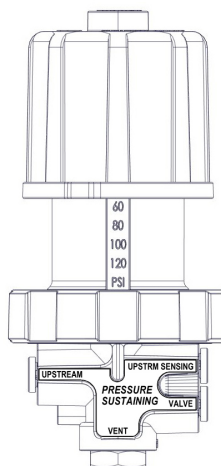
1

ACCESSORIES – PRESSURE CONTROLS

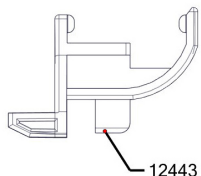
Pressure Sustaining Kit



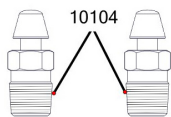
8970-005



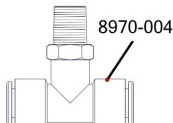
| Description | Part Number |
|---|-------------|
| 1/4" Street Pipe Tee | 8971 |
| 1/4" Valve Stem (Schrader) | 10104 |
| Mounting Clip | 12443 |
| Straight Tube Connector (1/4" Tube x 1/8" MNPT) | 8970-001 |
| Elbow Connector (1/4" Tube x 1/8" MNPT) | 8970-002 |
| Tee Connector (1/4" Tube x MNPT) | 8970-004 |
| 1/4" Plastic Tubing (2.5') | 8970-005 |
| Elbow Connector (1/4" Tube x 1/4" MNPT) | 8970-006 |
| Straight Connector (1/4" Tube x 1/4" MNPT) | 8970-008 |
| Male Run Tee Connector (1/4" Tube x 1/8" MNPT) | 8970-010 |
| 1/4" Tube Union Tee | 8970-017 |



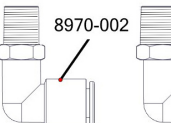
12443



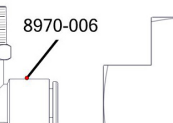
10104



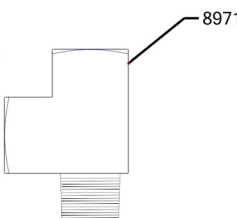
8970-004



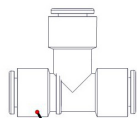
8970-002



8970-006



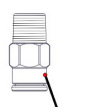
8971



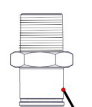
8970-017



8970-001



8970-008

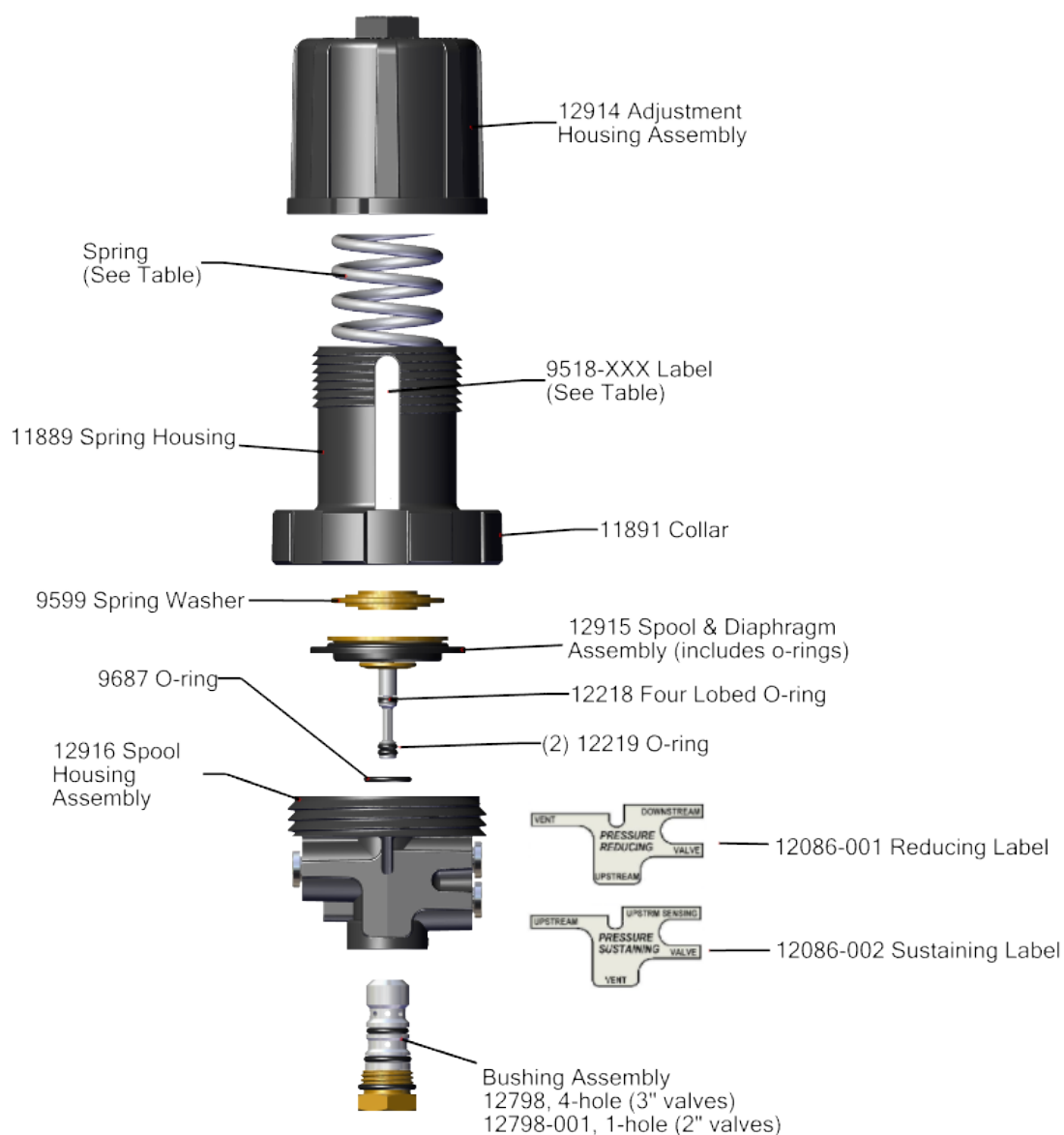


8970-008

ACCESSORIES — PRESSURE CONTROL

Pilot Parts

| Pressure Adj. Range | Spring | Adjustment Label |
|---------------------|-------------|------------------|
| 5-30 psi | 8044-035 | 9518-190 |
| 5-60 psi | 9607 | 9518-070 |
| 10-120 psi | 9606 & 9607 | 9518-080 |



ACCESSORIES — CLIPS, FITTINGS, ADAPTERS ETC.

MOUNTING CLIPS



12637
Mounting Clip Assy
for Solenoid



12443
Mounting Clip for
Pilot or External Filter

RUBBER DRAIN



9800-100PV
Rubber Drain

FITTINGS



12964
1/4" threaded plug



8970-015
1/4" male tube plug



8970-016
1/4" male tube x female
tube elbow



8970-017
1/4" tube union tee

SPLINE ADAPTERS



12482
3" IPS Spline x
3" IPS Male Slip



12495
3" IPS Spline x
3" IPS Female Slip



12496
3" IPS Spline (Certa-Lok) x
3" MNPT (9" long)



12359
3" OD (Certa-Set)
Spline x 3" Hose Barb

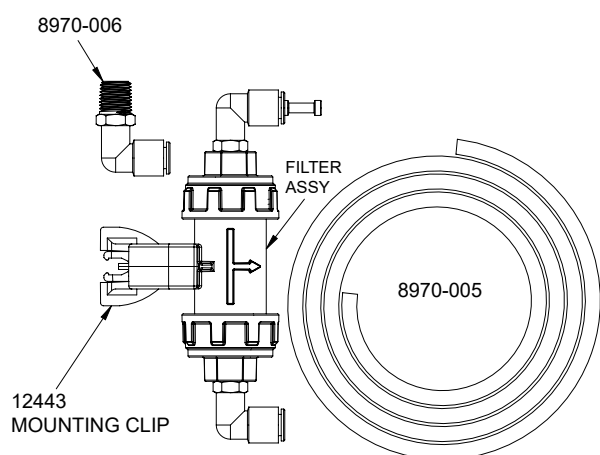
ACCESSORIES — FILTERS

INTERNAL FILTER

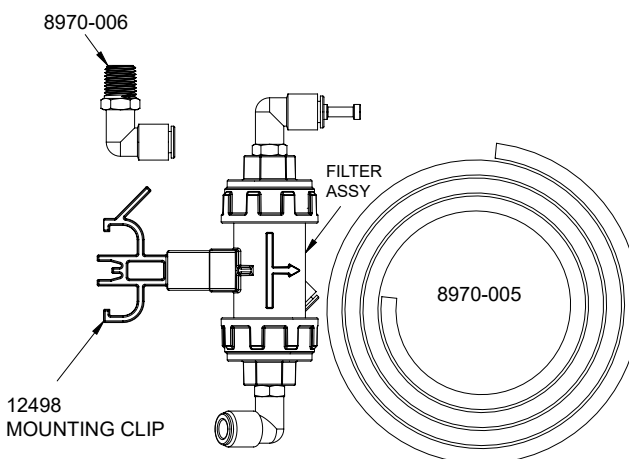


EXTERNAL FILTERS

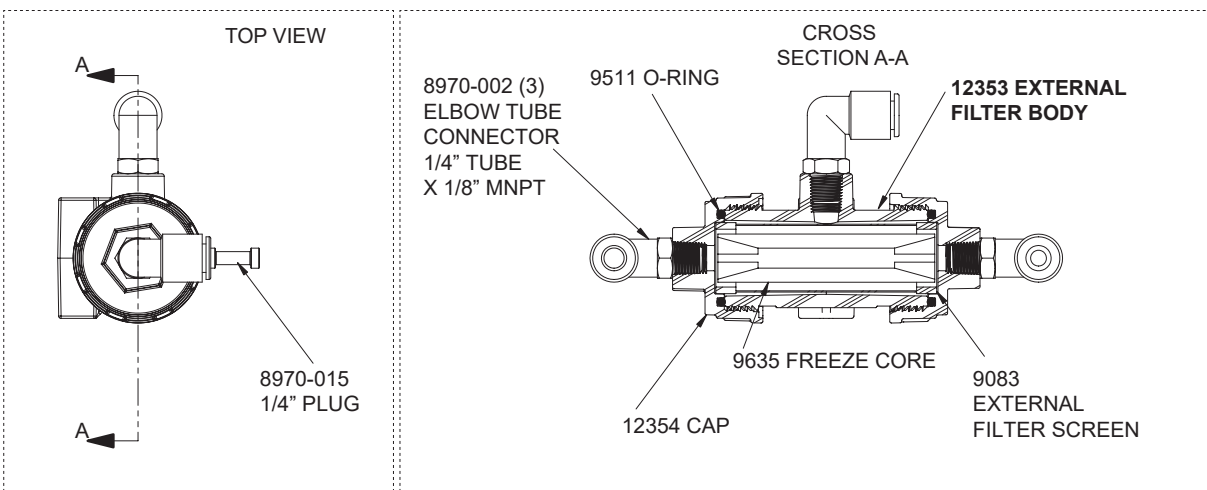
12454 Filter Kit for 2" & 3" 1000 Series Valves



12454-002 Filter Kit for 4" 1000 Series Valves



Filter Assembly Parts



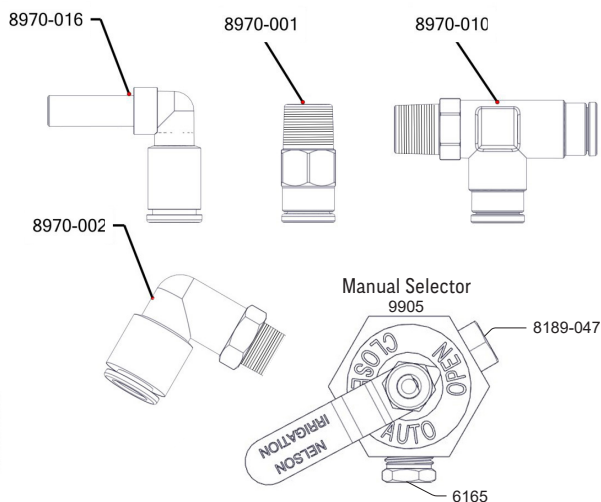
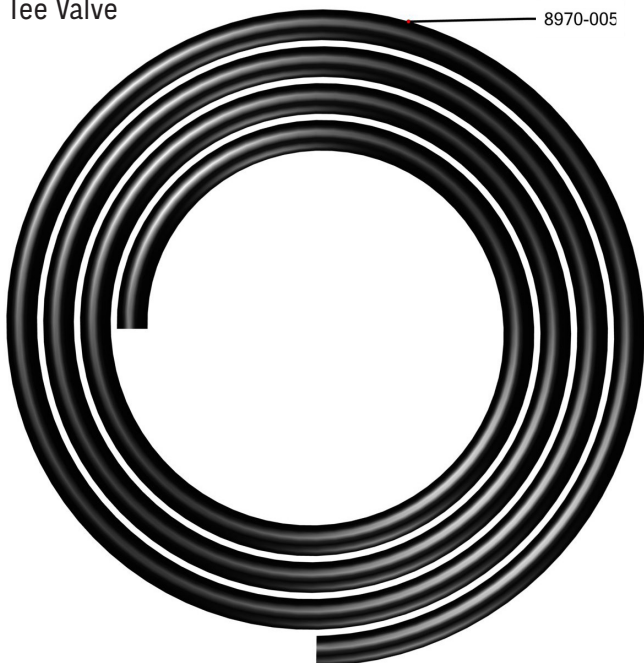


1000 SERIES – PARTS & ASSEMBLY DRAWINGS

1

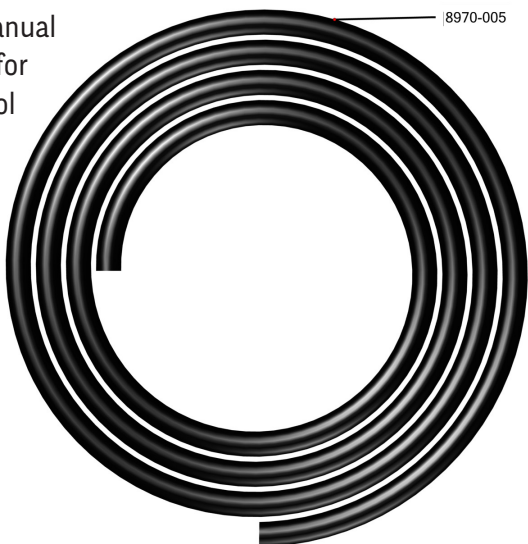
ACCESSORIES – MANUAL SELECTOR KITS

8980-011 Manual Selector Kit for Inline/BGV/Elbow/Dual Control Tee Valve

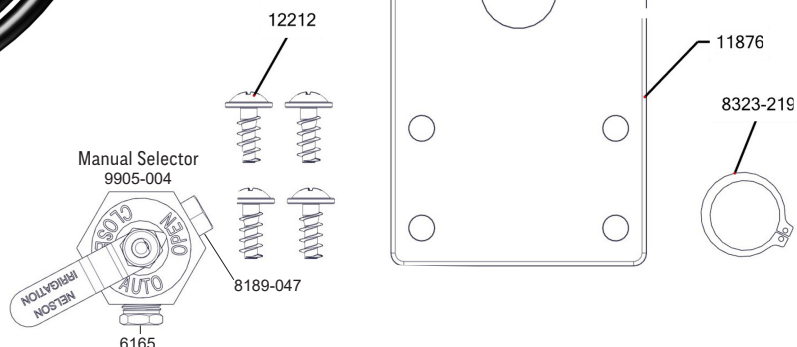
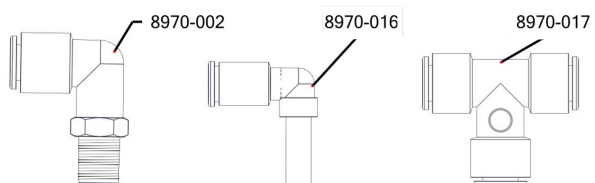


| Description | Part Number |
|---|-------------|
| 3P Brass Plug | 6165 |
| 2RN #6 Nozzle 3/64" | 8189-047 |
| Straight Tube Connector (1/4" Tube x 1/8" MNPT) | 8970-001 |
| Elbow Connector (1/4" Tube x 1/8" MNPT) | 8970-002 |
| 1/4" Plastic Tubing (2.5') | 8970-005 |
| Male Run Tee Connector (1/4" Tube x 1/8" MNPT) | 8970-010 |
| 1/4" Male Tube x Female Tube Connector | 8970-016 |
| Manual Selector | 9905 |

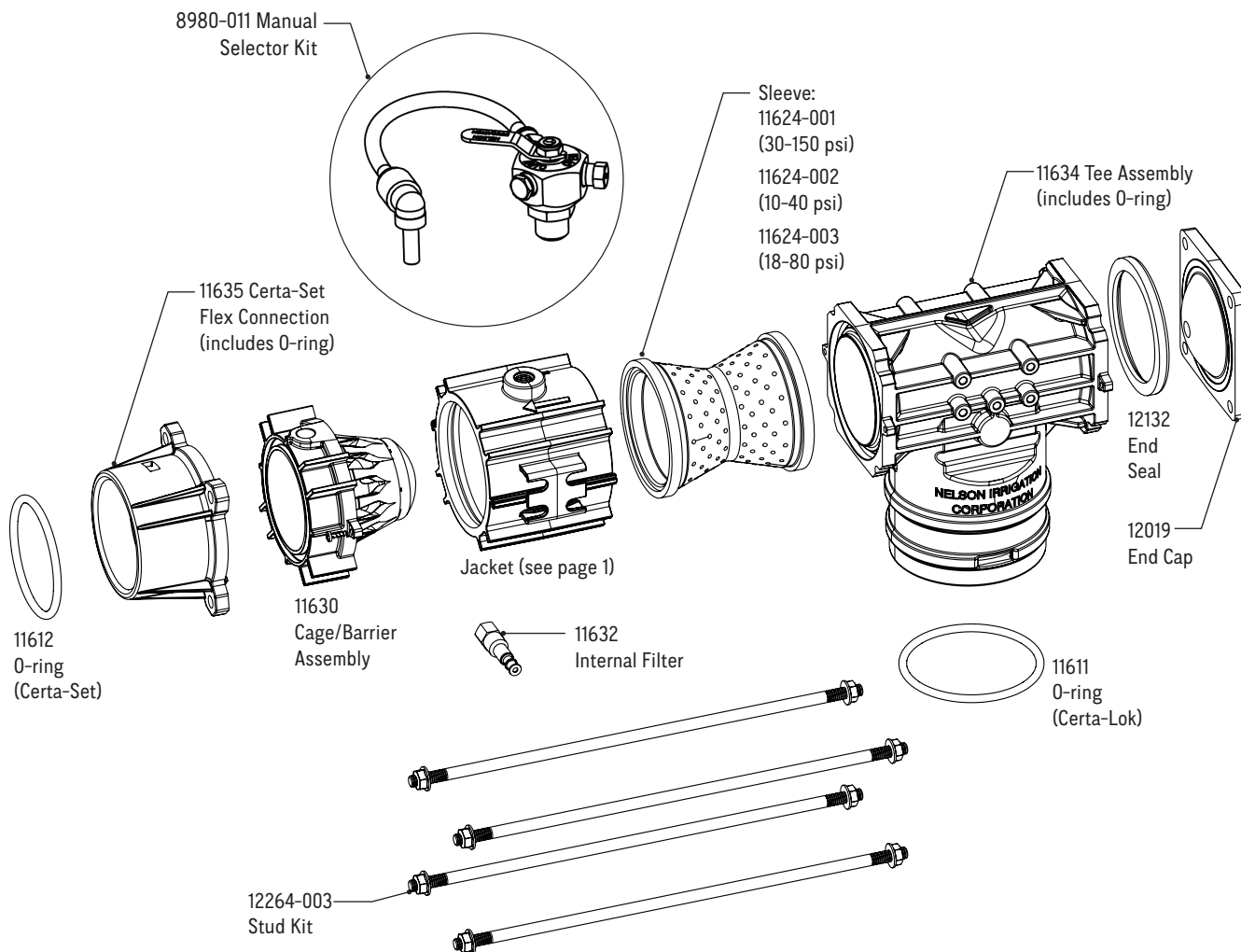
8980-010 Manual Selector Kit for Single Control Tee Valve



| Description | Part Number |
|---|-------------|
| 3P Brass Plug | 6165 |
| Mounting Bracket | 11876 |
| Screw | 12212 |
| 2RN #6 Nozzle 3/64" | 8189-047 |
| Retaining Ring | 8323-219 |
| Elbow Connector (1/4" Tube x 1/8" MNPT) | 8970-002 |
| 1/4" Plastic Tubing (1.5') | 8970-005 |
| 1/4" Male Tube x Female Tube Connector | 8970-016 |
| 1/4" Tube Union Tee (2) | 8970-017 |
| Manual Selector | 9905-004 |

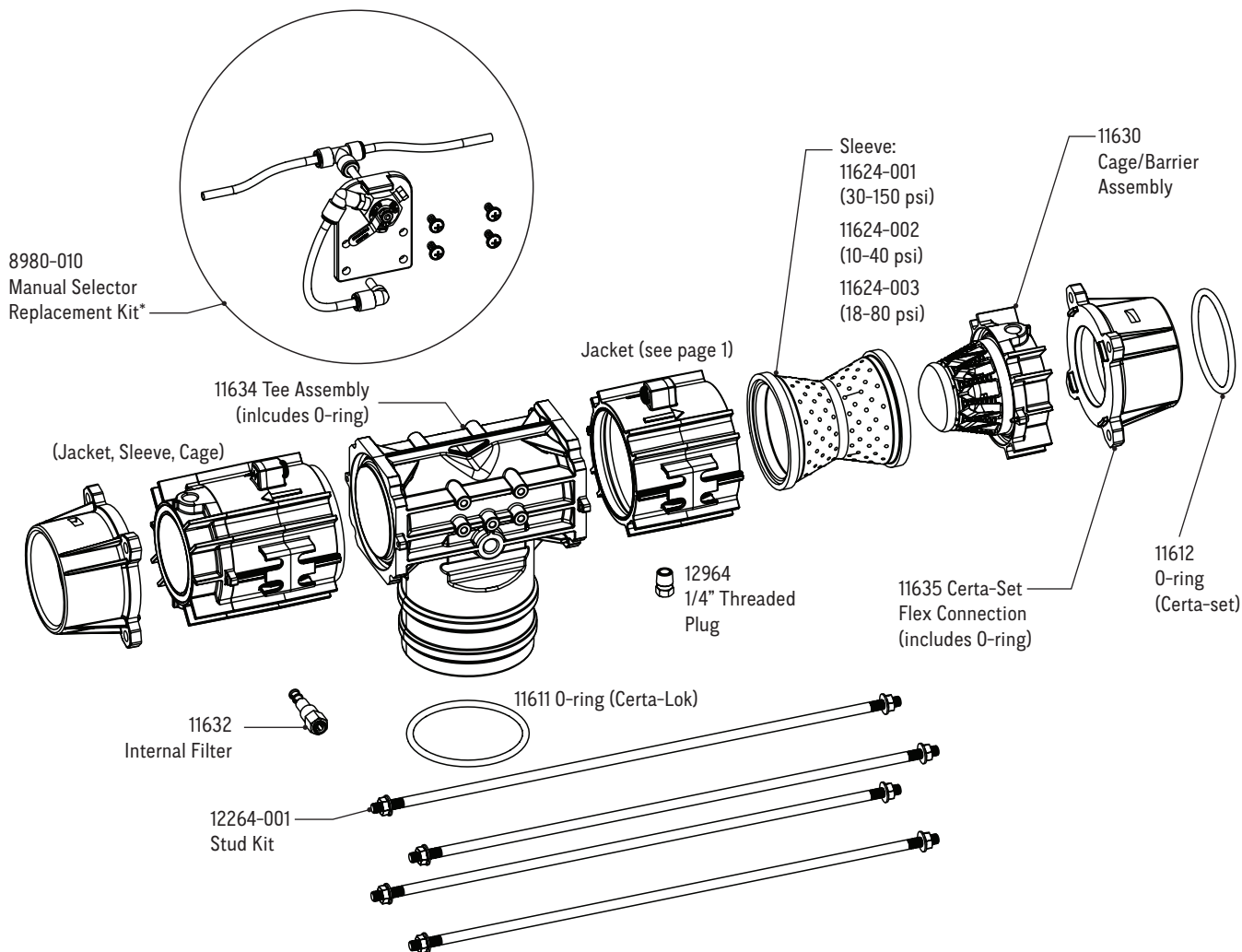


2" ELBOW VALVE



TORQUE SPEC = 60 in-lbs

2" TEE VALVE



* Use 12151 for Single Control to Dual Control Conversion Kit

TORQUE SPEC = 60 in-lbs