

TABLE
 OF CONTENTS
2.2-2.3**ON/OFF ONLY**

Manual Selector Only

2.4-2.7**MANUAL SELECTOR WITH SOLENOID**

L01 Open/Closed (Standard)

L02 Closed/Open (Reverse Logic)

2.8-2.9**PRESSURE REDUCING****2.10-2.13****PRESSURE REDUCING WITH SOLENOID**

L07 Reducing/Closed (Standard)

L08 Closed/Reducing (Reverse Logic)

2.14-2.15**PRESSURE SUSTAINING****2.16-2.23****PRESSURE SUSTAINING WITH SOLENOID**

L03 Sustaining/Closed

L04 Sustaining/Open

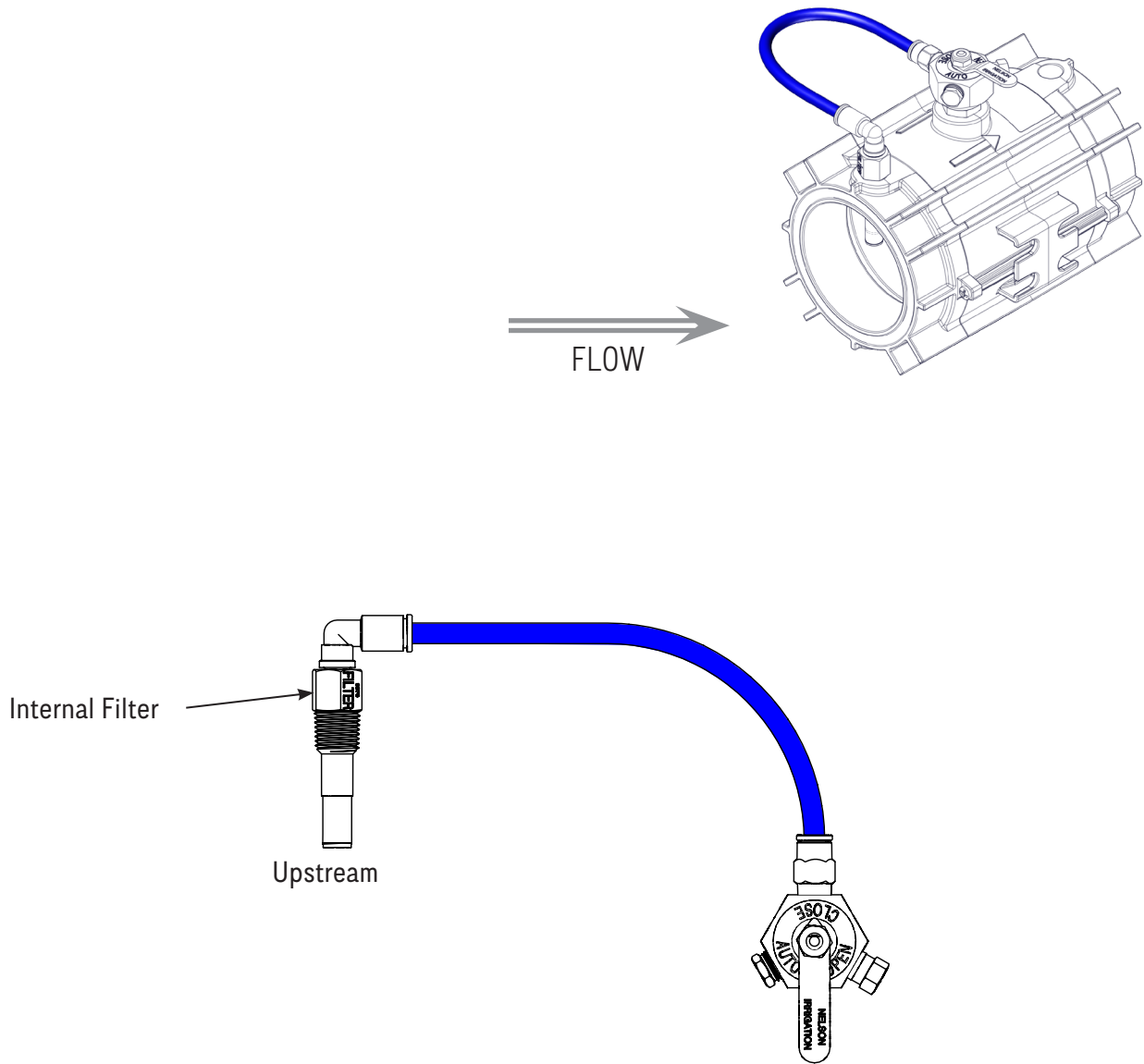
L05 Closed/Sustaining

L06 Open/Sustaining

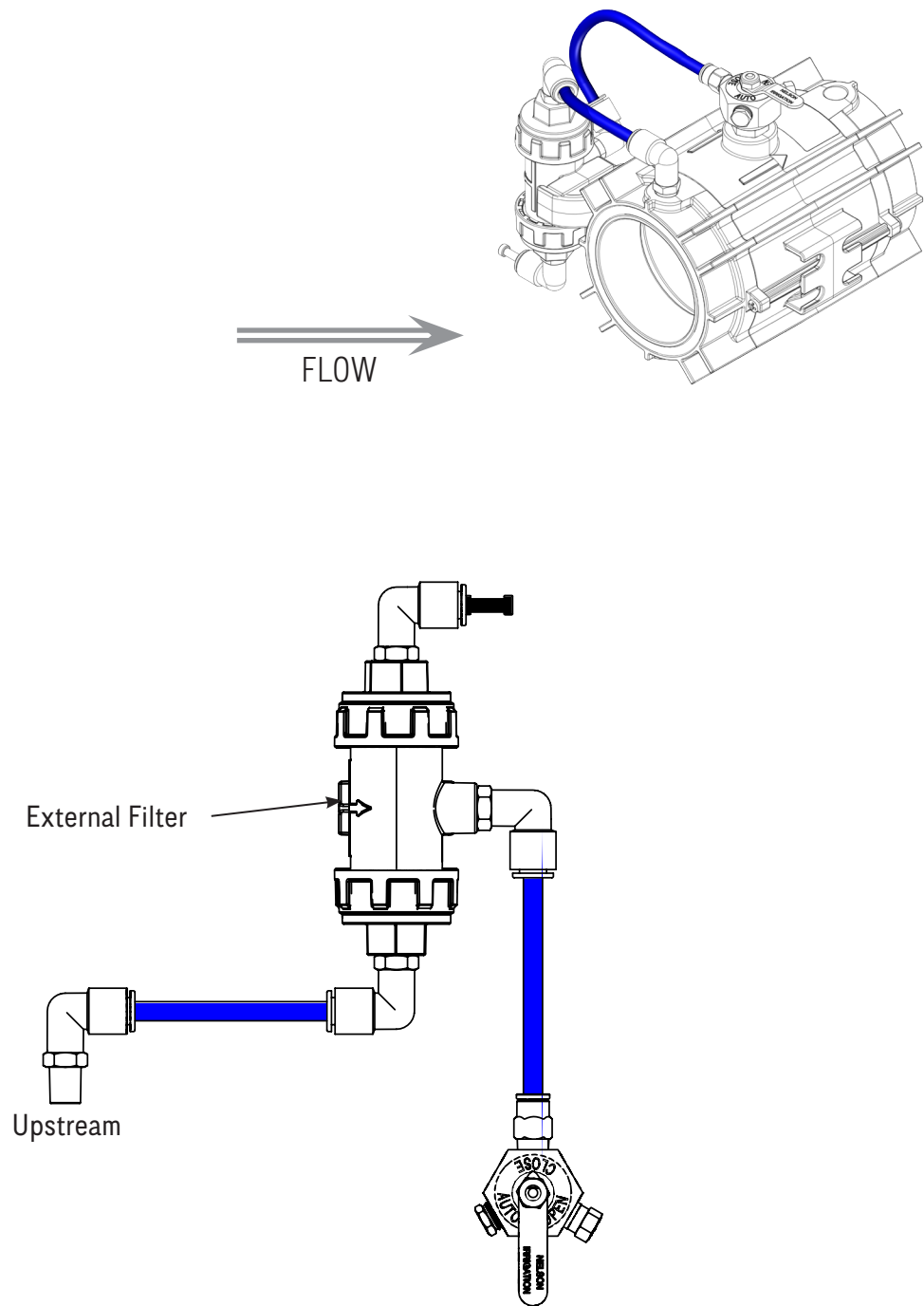
2.24-2.25**COMBINATION PRESSURE REDUCING/SUSTAINING****2.26-2.27****COMBINATION PRESSURE REDUCING/SUSTAINING WITH SOLENOID**

L09 Sustaining-Reducing/Closed (Standard)

MANUAL SELECTOR ONLY — Internal Filter



MANUAL SELECTOR ONLY – External Filter



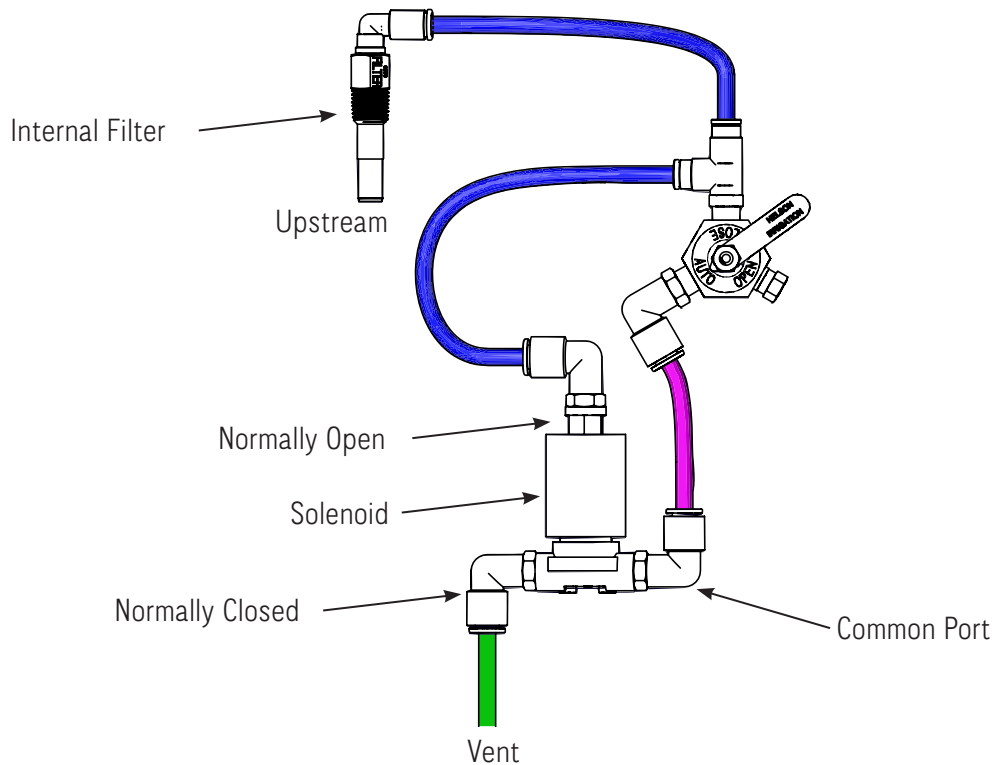
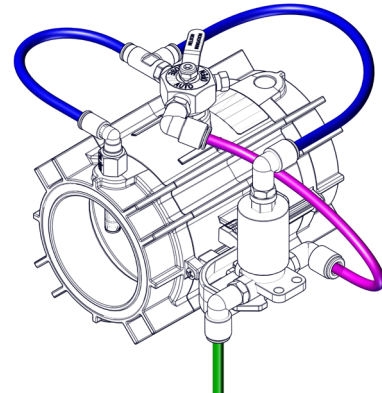
MANUAL SELECTOR WITH SOLENOID — Internal Filter

Solenoid Logic L01- OPEN/CLOSED (STANDARD)

Valve Function with the Manual Selector in AUTO

Solenoid ENERGIZED: the valve is OPEN

Solenoid DE-ENERGIZED: the valve is CLOSED



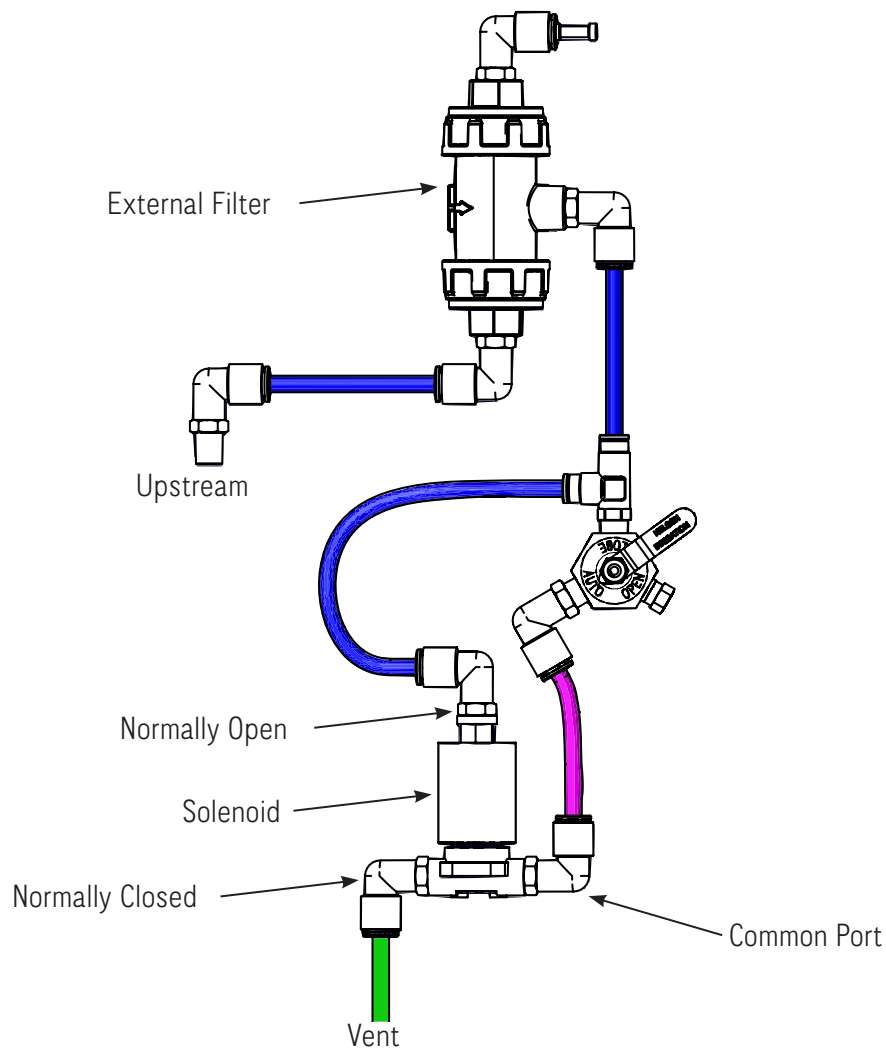
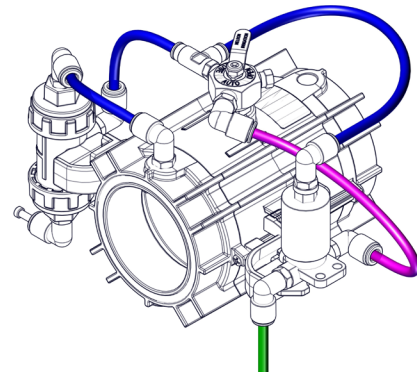
MANUAL SELECTOR WITH SOLENOID — External Filter

Solenoid Logic L01- OPEN/CLOSED (STANDARD)

Valve Function with the Manual Selector in AUTO

Solenoid ENERGIZED: the valve is OPEN

Solenoid DE-ENERGIZED: the valve is CLOSED



MANUAL SELECTOR WITH SOLENOID — Internal Filter

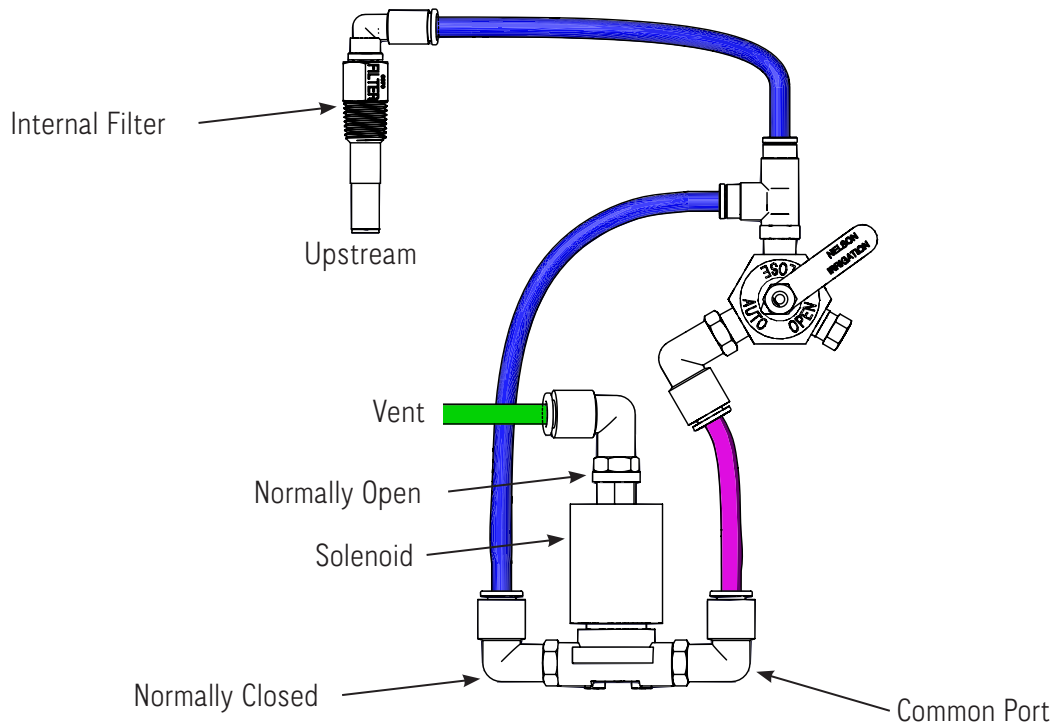
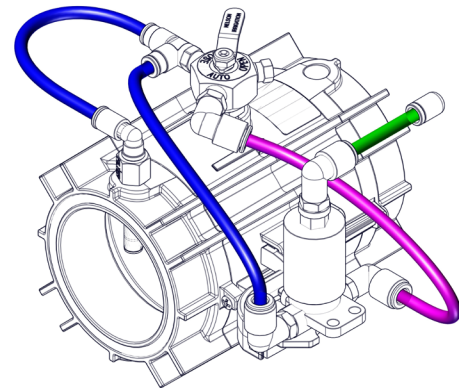
Solenoid Logic L02- CLOSED/OPEN (REVERSE LOGIC)*

Valve Function with the Manual Selector in AUTO

Solenoid ENERGIZED: the valve is CLOSED

Solenoid DE-ENERGIZED: the valve is OPEN

*when using this configuration above 50 psi, a special normally closed solenoid must be used. Contact factory for details



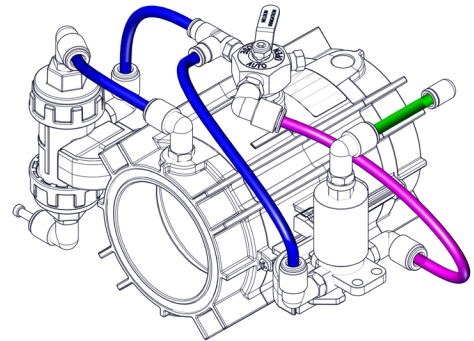
MANUAL SELECTOR WITH SOLENOID — External Filter

Solenoid Logic L02- CLOSED/OPEN (REVERSE LOGIC)*

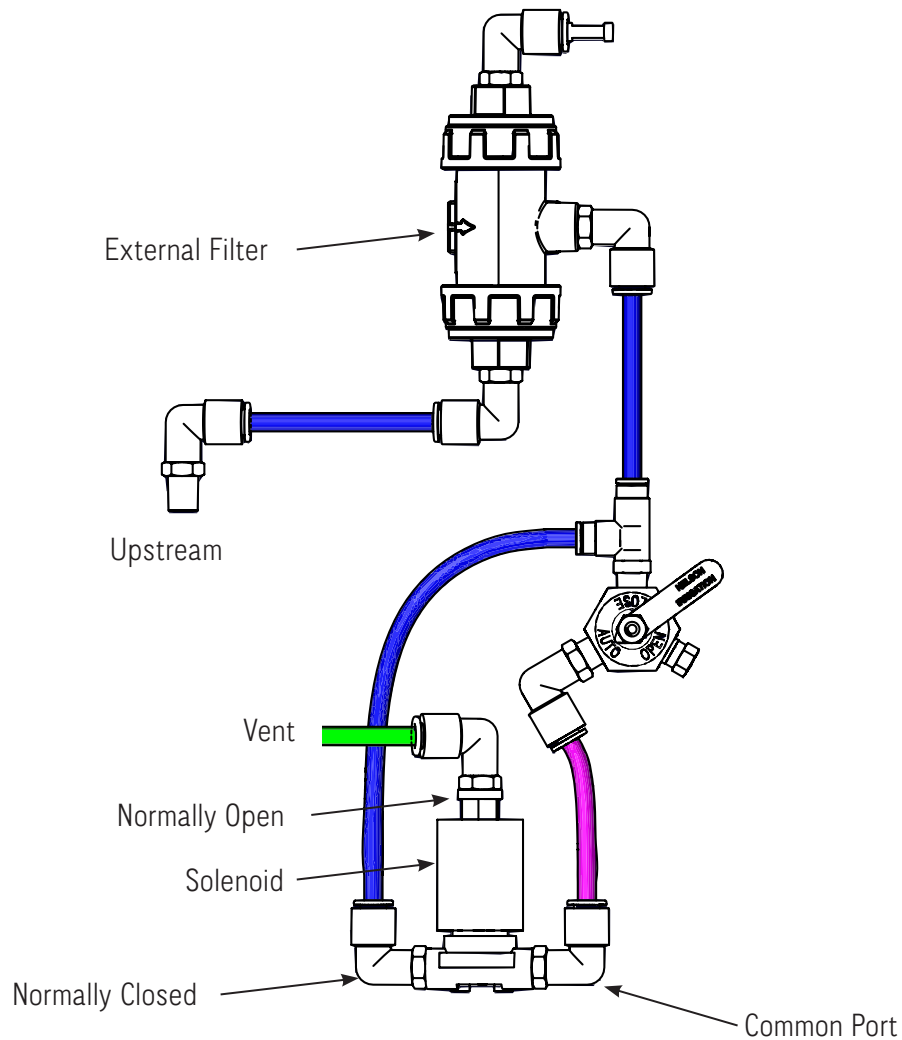
Valve Function with the Manual Selector in AUTO

Solenoid ENERGIZED: the valve is CLOSED

Solenoid DE-ENERGIZED: the valve is OPEN



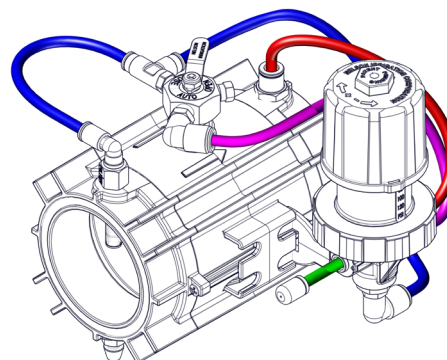
*when using this configuration above 50 psi, a special normally closed solenoid must be used. Contact factory for details



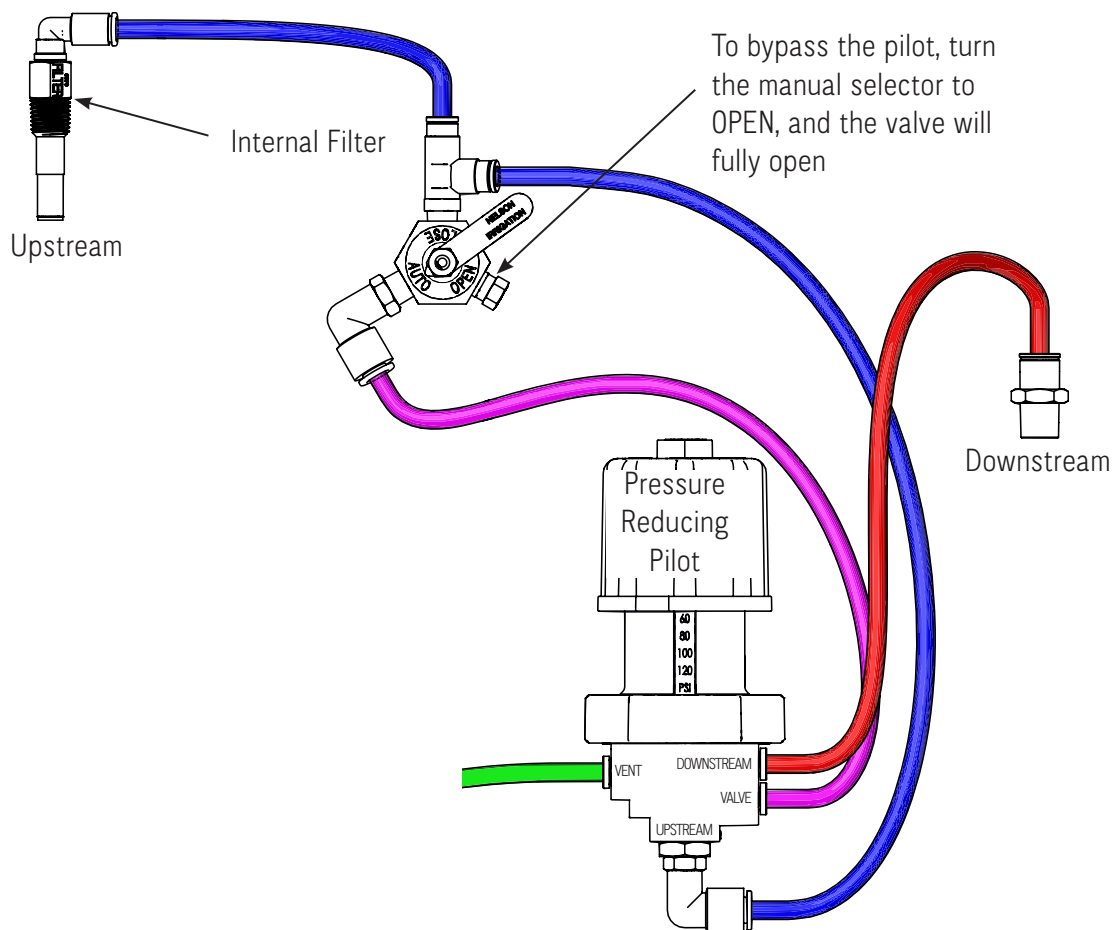
PRESSURE REDUCING — Internal Filter

Valve Function with the Manual Selector in AUTO

Accurately maintains a constant DOWNSTEAM pressure

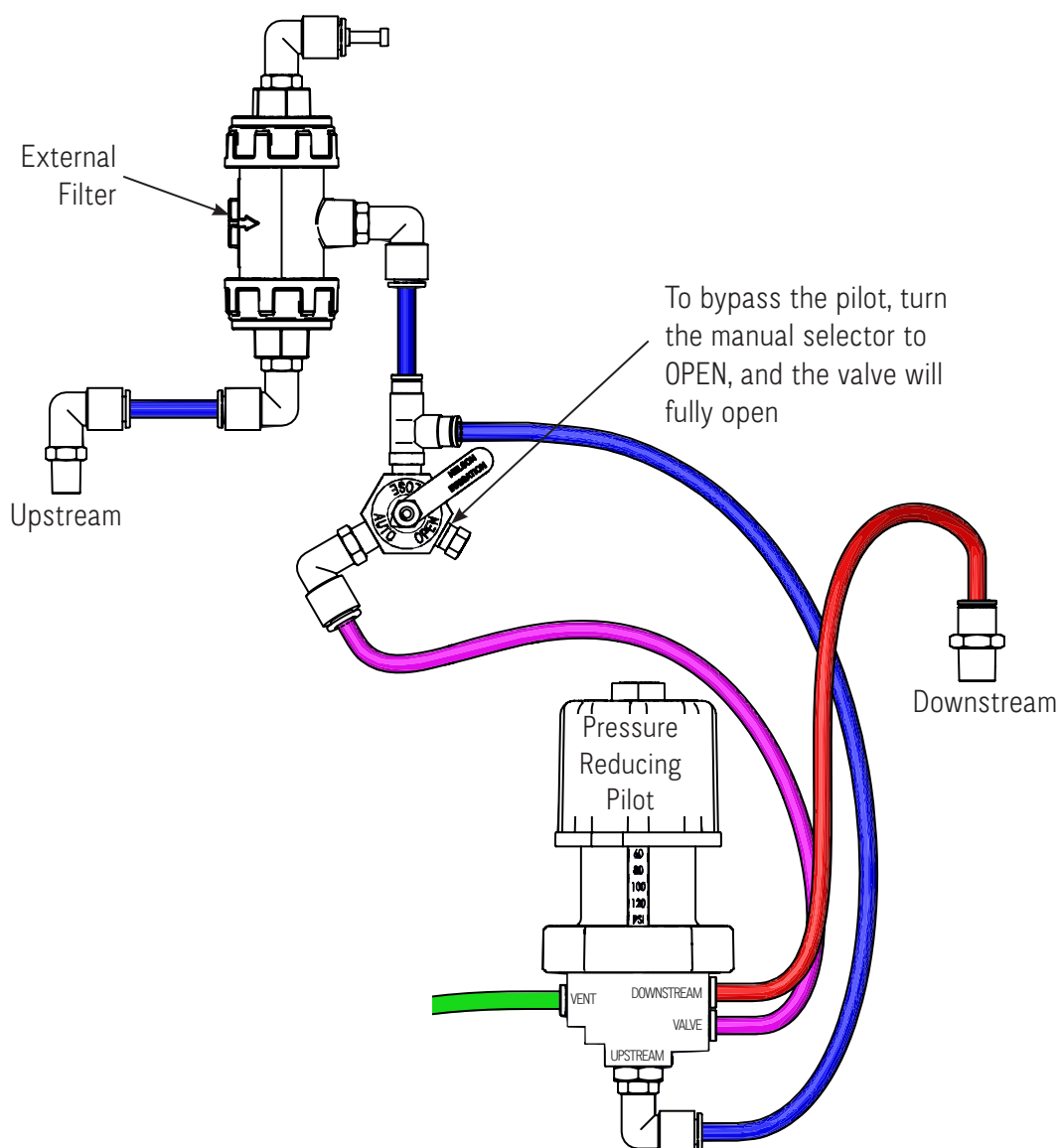
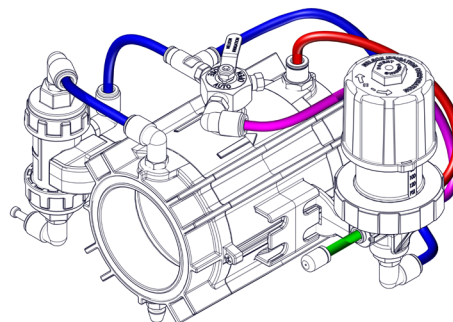


→
FLOW



PRESSURE REDUCING — External Filter

Valve Function with the Manual Selector in AUTO
Accurately maintains a constant DOWNSTREAM pressure



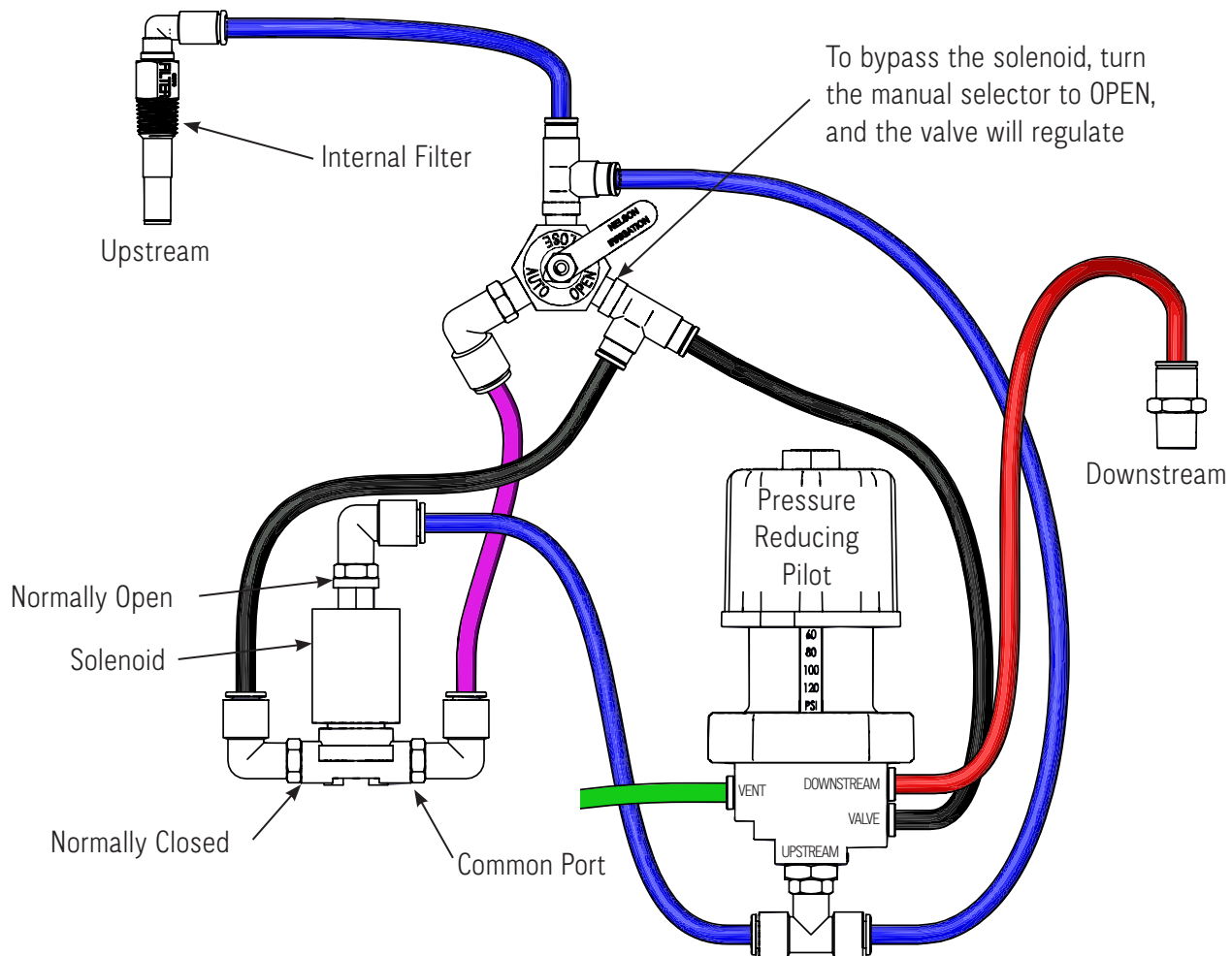
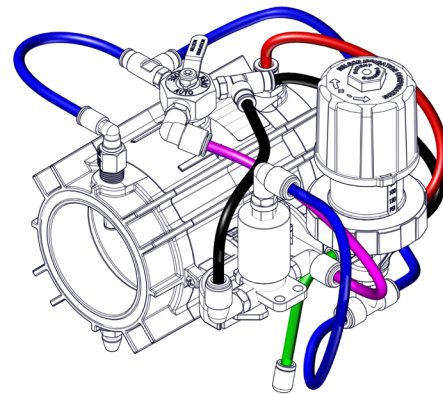
PRESSURE REDUCING WITH SOLENOID — Internal Filter

Solenoid Logic L07 - REDUCING/CLOSED (STANDARD)

Valve Function with the Manual Selector in AUTO

Solenoid ENERGIZED: the valve will accurately maintain a constant DOWNSTREAM pressure

Solenoid DE-ENERGIZED: the valve is CLOSED



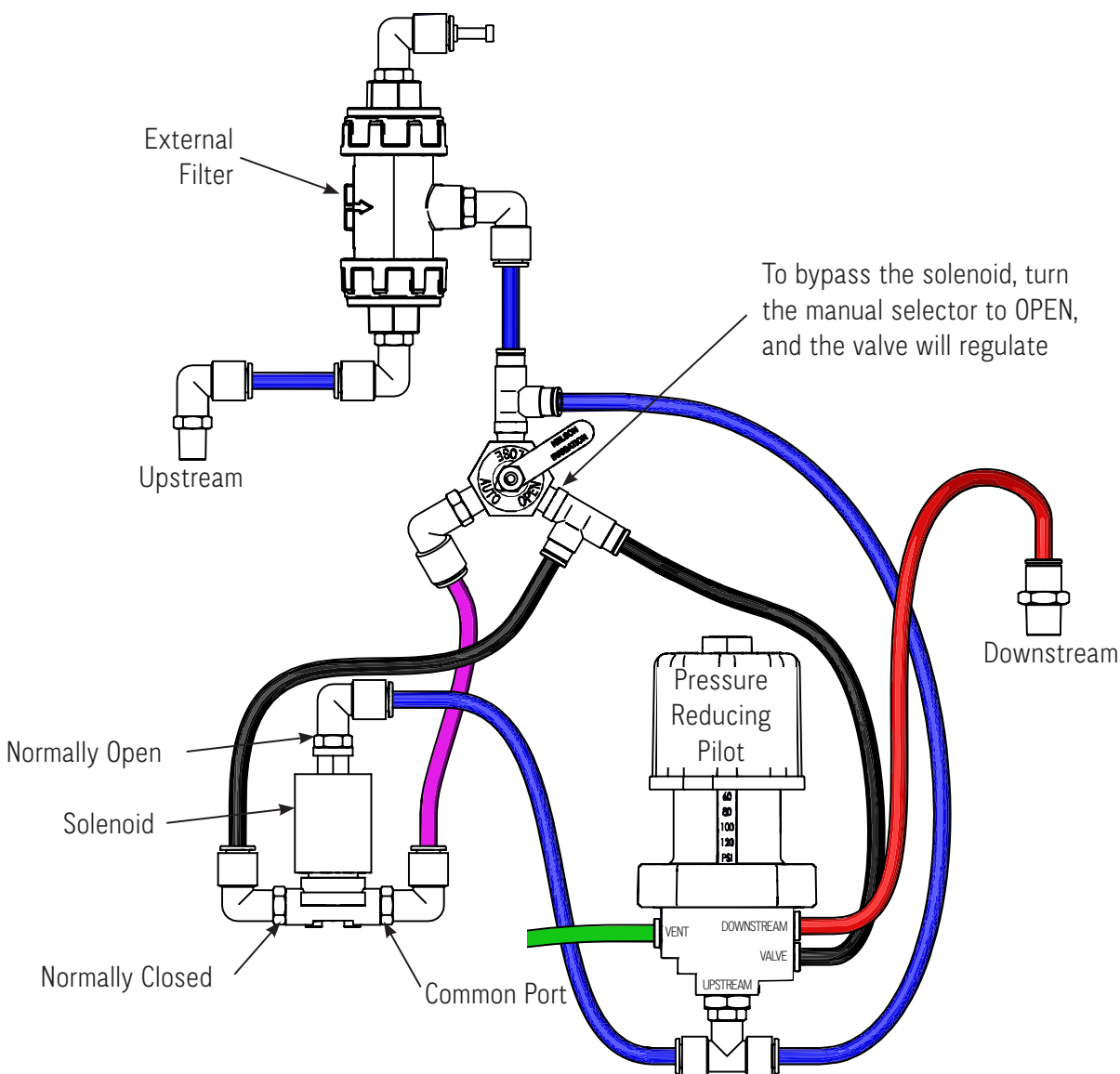
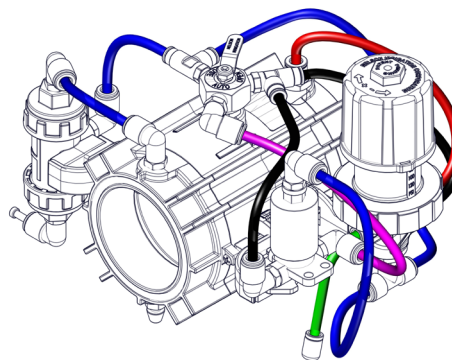
PRESSURE REDUCING WITH SOLENOID – External Filter

Solenoid Logic L07 - REDUCING/CLOSED (STANDARD)

Valve Function with the Manual Selector in AUTO

Solenoid ENERGIZED: the valve will accurately maintain a constant DOWNSTREAM pressure

Solenoid DE-ENERGIZED: the valve is CLOSED



PRESSURE REDUCING WITH SOLENOID — Internal Filter

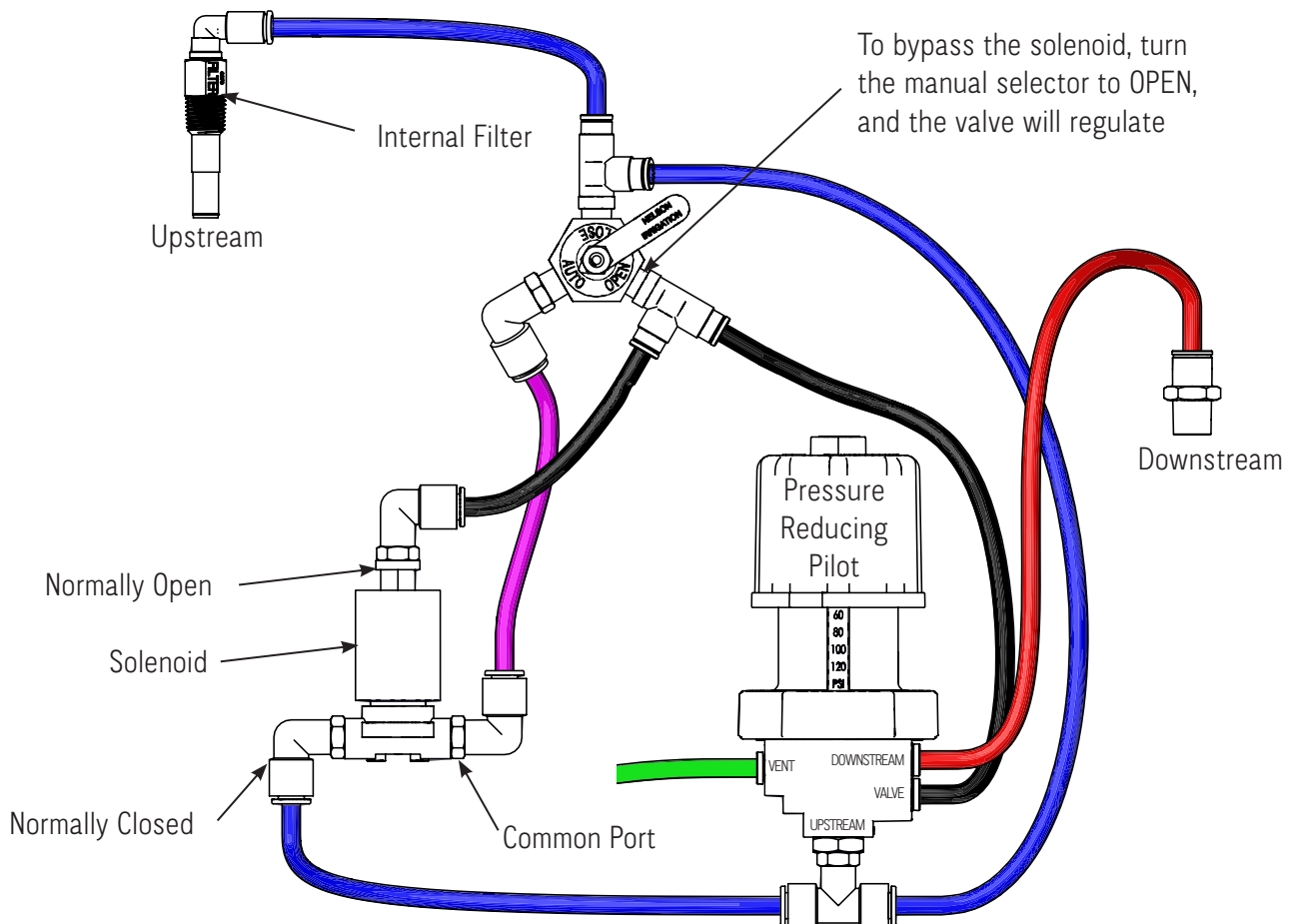
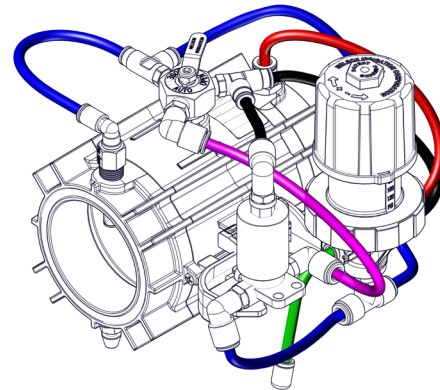
Solenoid Logic L08 - CLOSED/REDUCING (REVERSE LOGIC)*

Valve Function with the Manual Selector in AUTO

Solenoid ENERGIZED: the valve is CLOSED

Solenoid DE-ENERGIZED: the valve will accurately maintain a constant DOWNSTREAM pressure

*when using this configuration above 50 psi, a special normally closed solenoid must be used. Contact factory for details



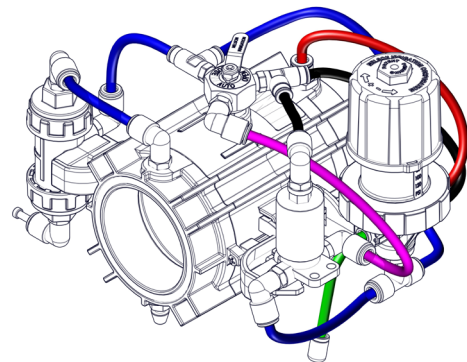
PRESSURE REDUCING WITH SOLENOID — External Filter

Solenoid Logic L08 - CLOSED/REDUCING (REVERSE LOGIC)*

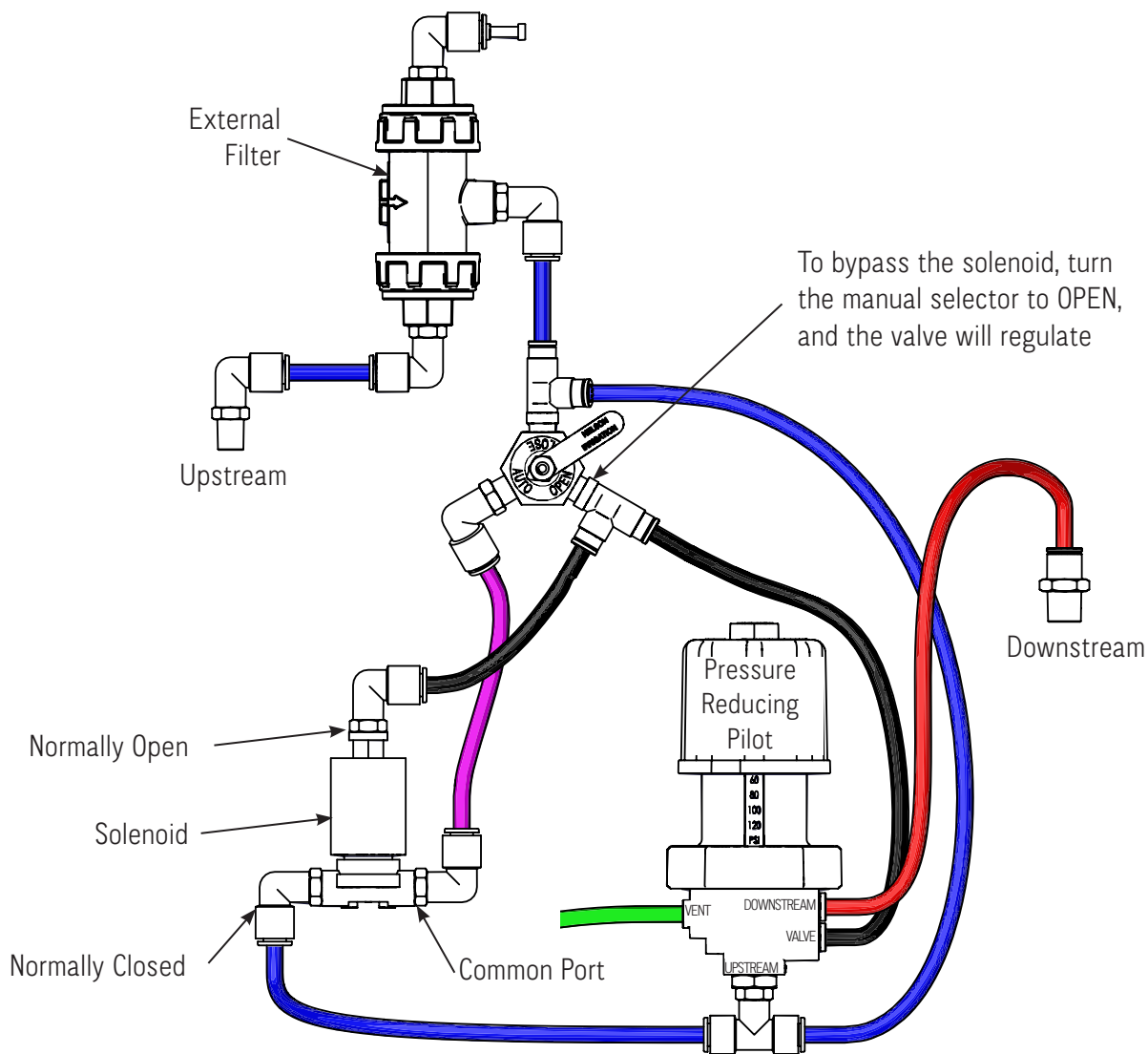
Valve Function with the Manual Selector in AUTO

Solenoid ENERGIZED: the valve is CLOSED

Solenoid DE-ENERGIZED: the valve will accurately maintain a constant DOWNSTREAM pressure

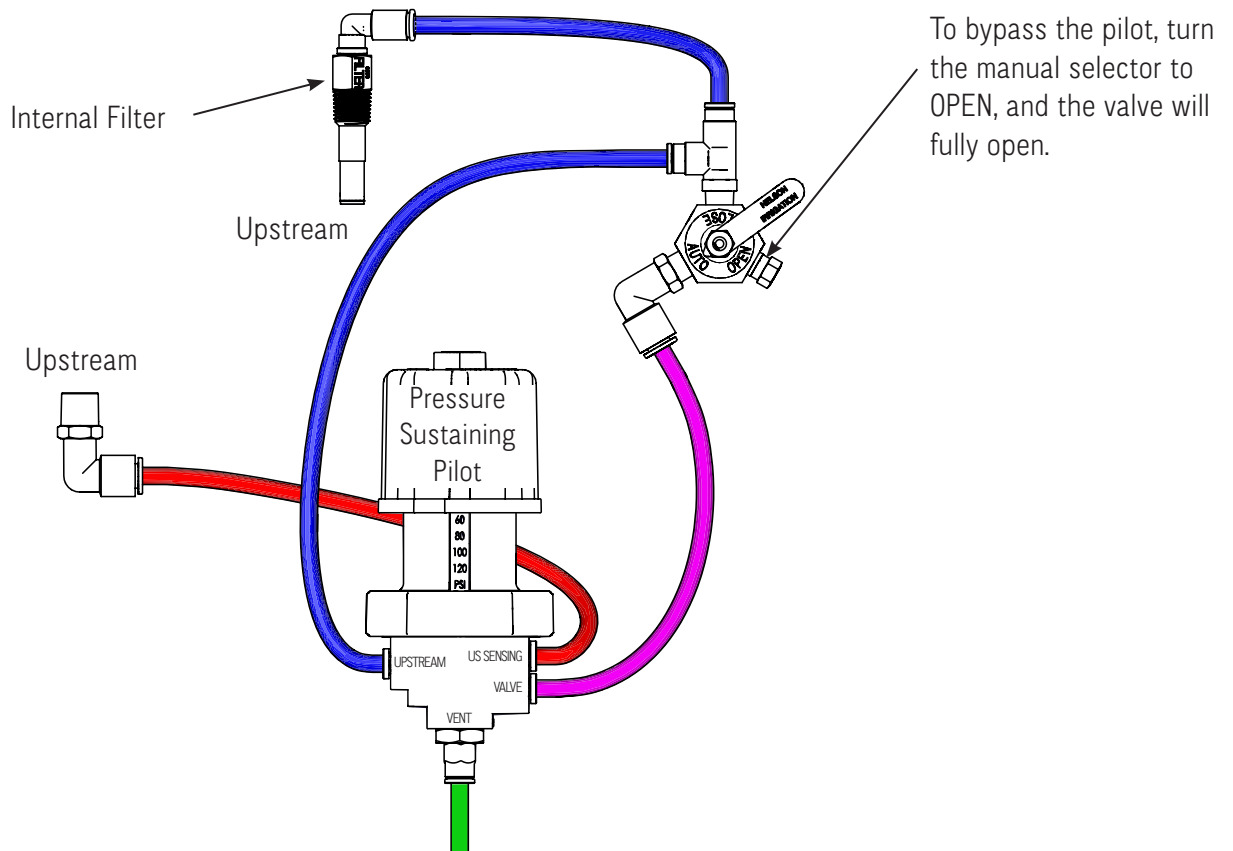
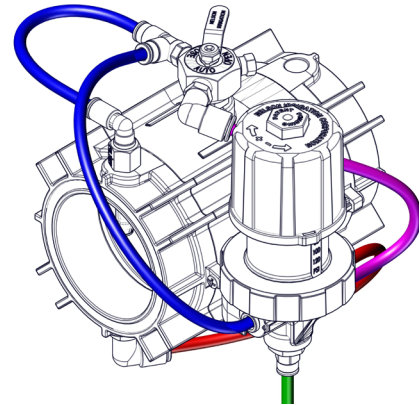


*when using this configuration above 50 psi, a special normally closed solenoid must be used. Contact factory for details



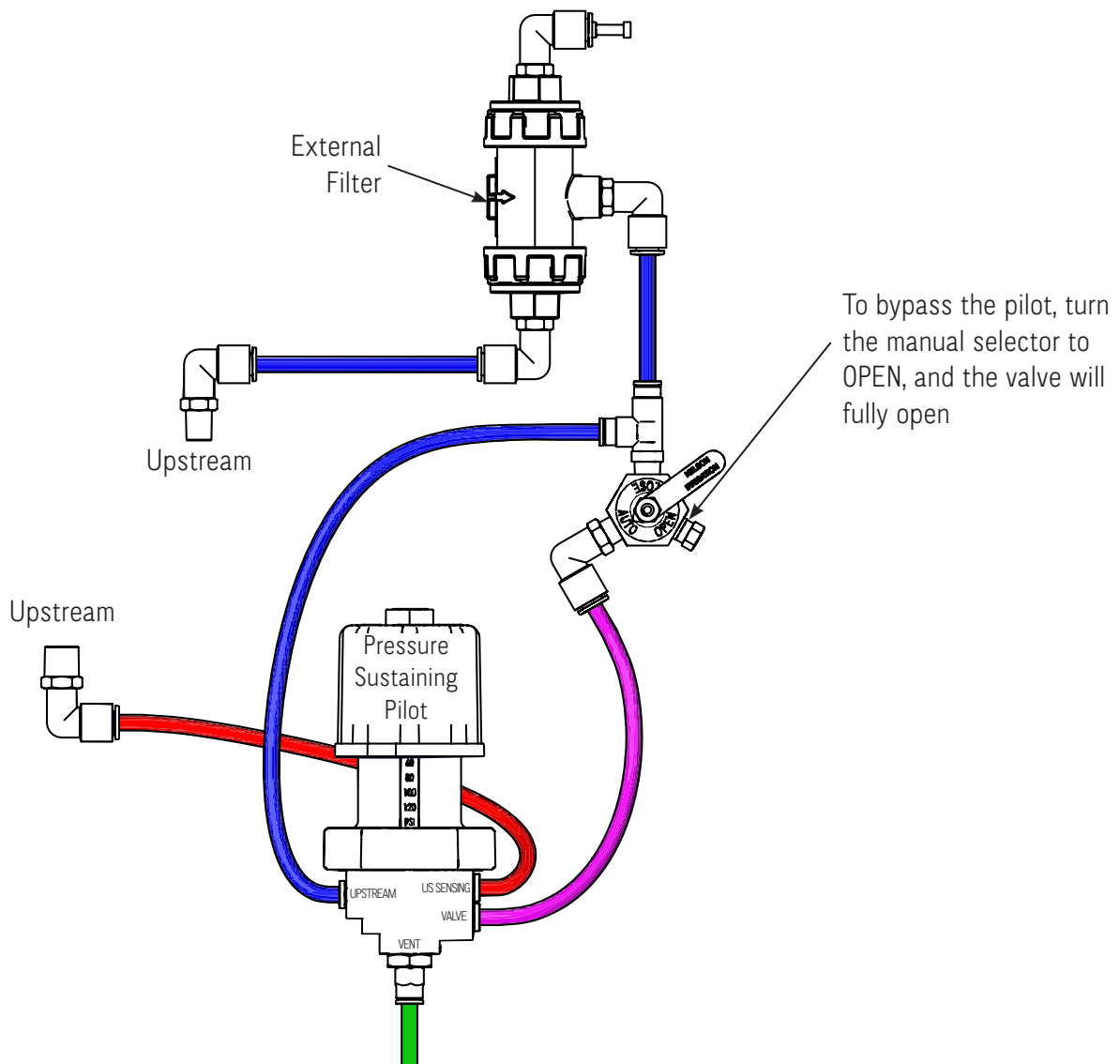
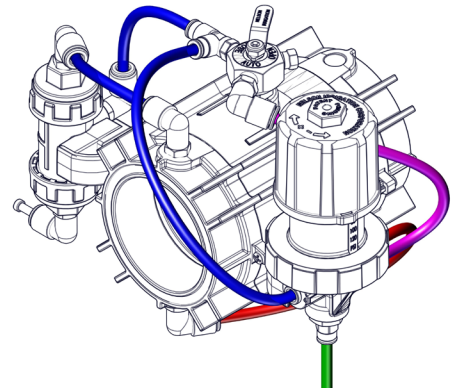
PRESSURE SUSTAINING — Internal Filter

Valve Function with the Manual Selector in AUTO
 Valve will open when UPSTREAM pressure exceeds set point on pilot, then discharge water as required to maintain the pressure set point.



PRESSURE SUSTAINING — External Filter

Valve Function with the Manual Selector in AUTO
 Valve will open when UPSTREAM pressure exceeds set point on pilot, then discharge water as required to maintain the pressure set point.



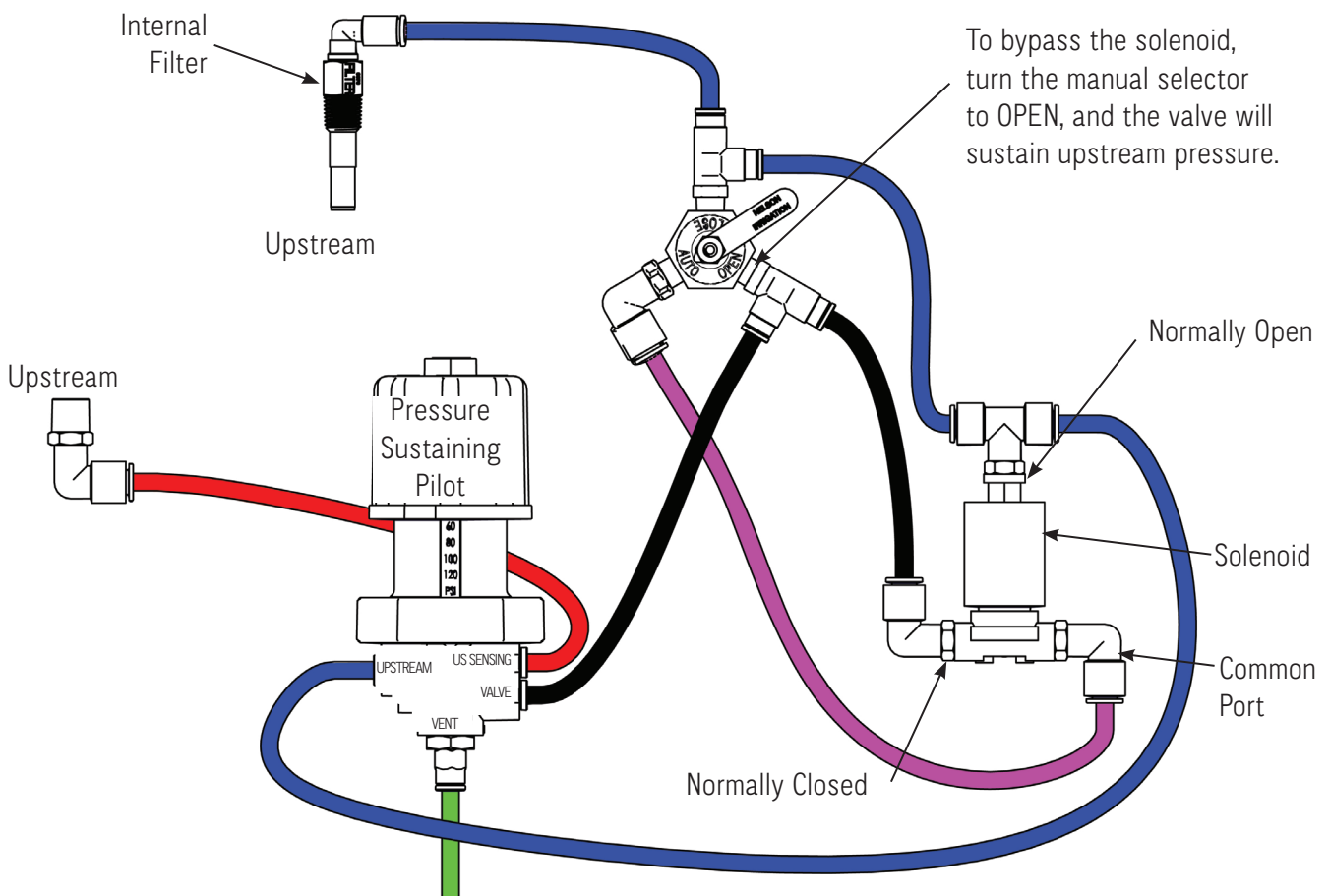
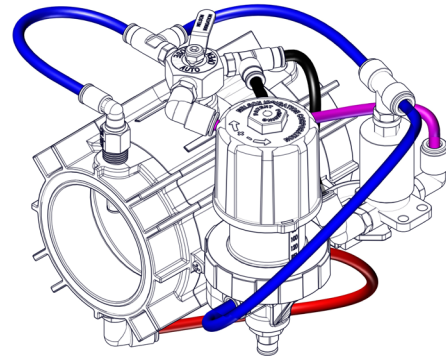
PRESSURE SUSTAINING WITH SOLENOID — Internal Filter

Solenoid Logic L03 - SUSTAINING/CLOSED

Valve Function with the Manual Selector in AUTO

Solenoid ENERGIZED: the valve will open when UPSTREAM pressure exceeds set point on pilot, then discharge water as required to maintain the pressure set point.

Solenoid DE-ENERGIZED: the valve is CLOSED



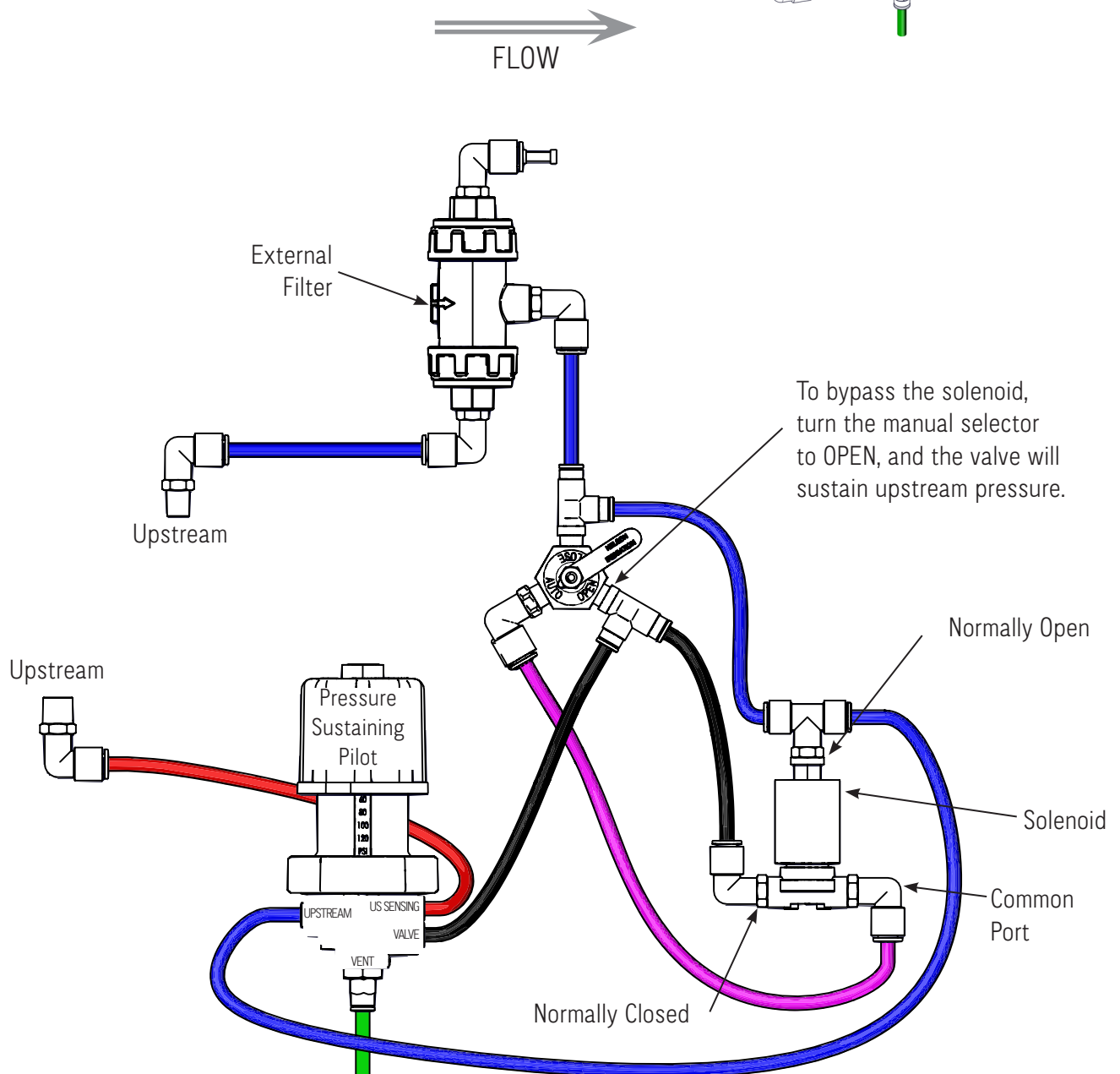
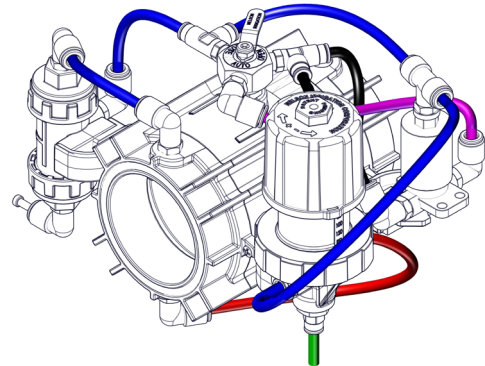
PRESSURE SUSTAINING WITH SOLENOID — External Filter

Solenoid Logic L03 - SUSTAINING/CLOSED

Valve Function with the Manual Selector in AUTO

Solenoid ENERGIZED: the valve will open when UPSTREAM pressure exceeds set point on pilot, then discharge water as required to maintain the pressure set point.

Solenoid DE-ENERGIZED: the valve is CLOSED



PRESSURE SUSTAINING WITH SOLENOID — Internal Filter

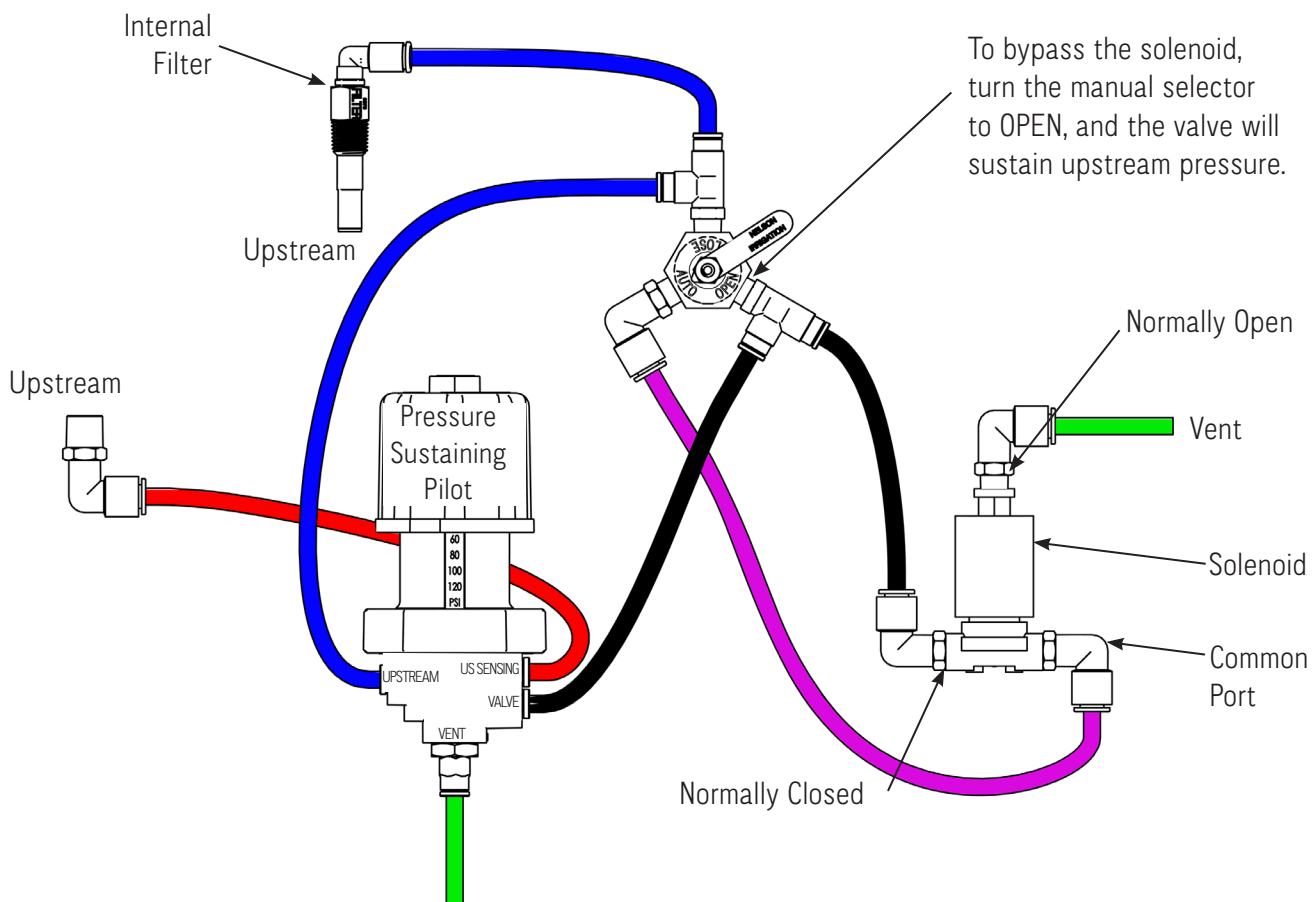
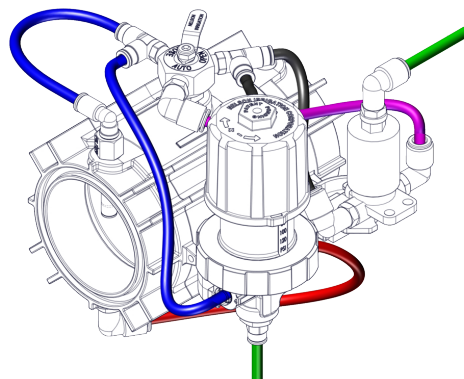
Solenoid Logic L04 - SUSTAINING/OPEN*

Valve Function with the Manual Selector in AUTO

Solenoid ENERGIZED: the valve will open when UPSTREAM pressure exceeds set point on pilot, then discharge water as required to maintain the pressure set point.

Solenoid DE-ENERGIZED: the valve is OPEN

*when using this configuration above 50 psi, a special normally closed solenoid must be used. Contact factory for details



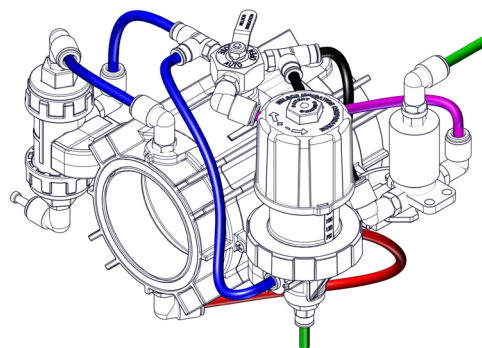
PRESSURE SUSTAINING WITH SOLENOID — External Filter

Solenoid Logic L04 - SUSTAINING/OPEN*

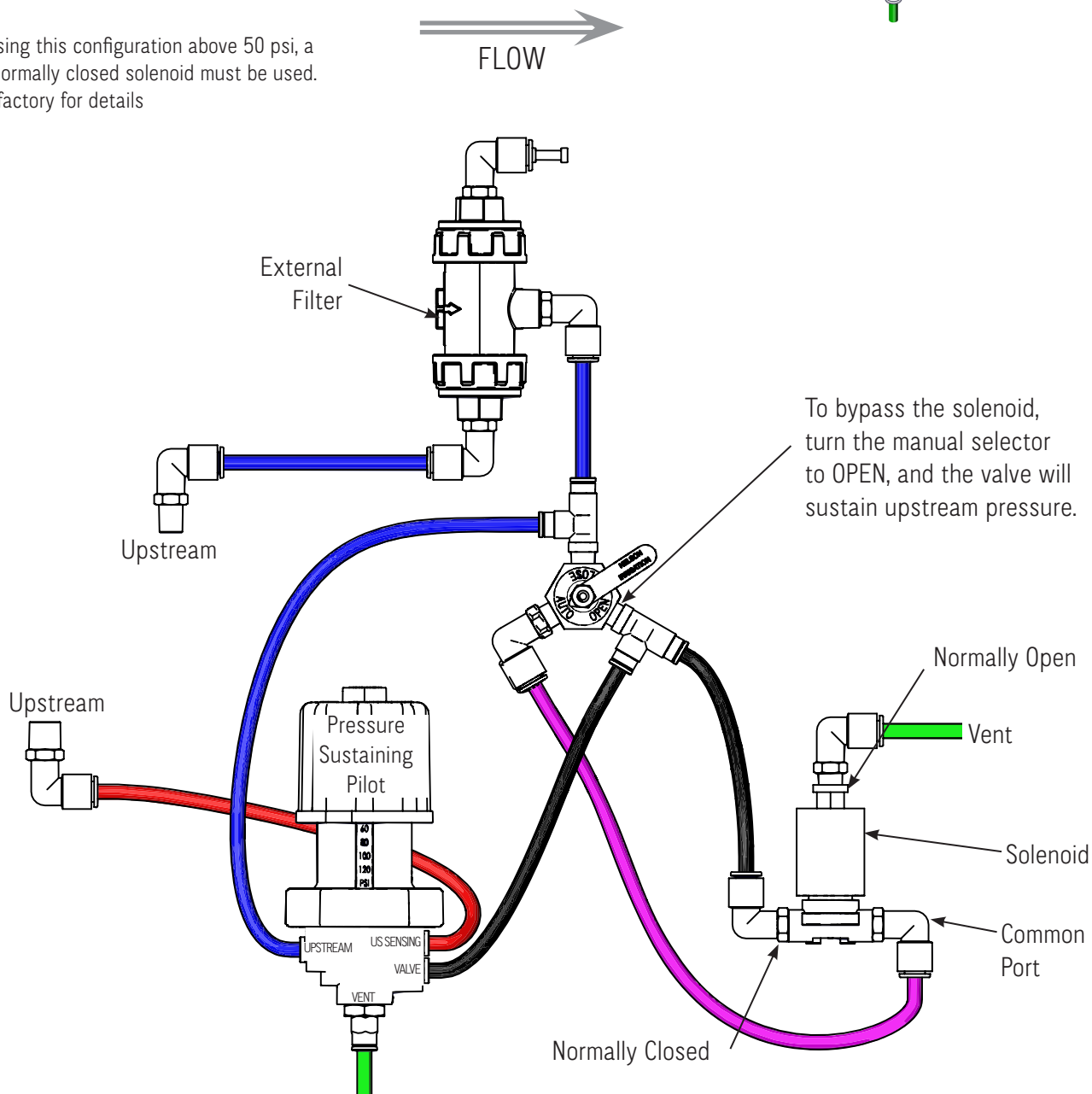
Valve Function with the Manual Selector in AUTO

Solenoid ENERGIZED: the valve will open when UPSTREAM pressure exceeds set point on pilot, then discharge water as required to maintain the pressure set point.

Solenoid DE-ENERGIZED: the valve is OPEN



*when using this configuration above 50 psi, a special normally closed solenoid must be used. Contact factory for details



PRESSURE SUSTAINING WITH SOLENOID — Internal Filter

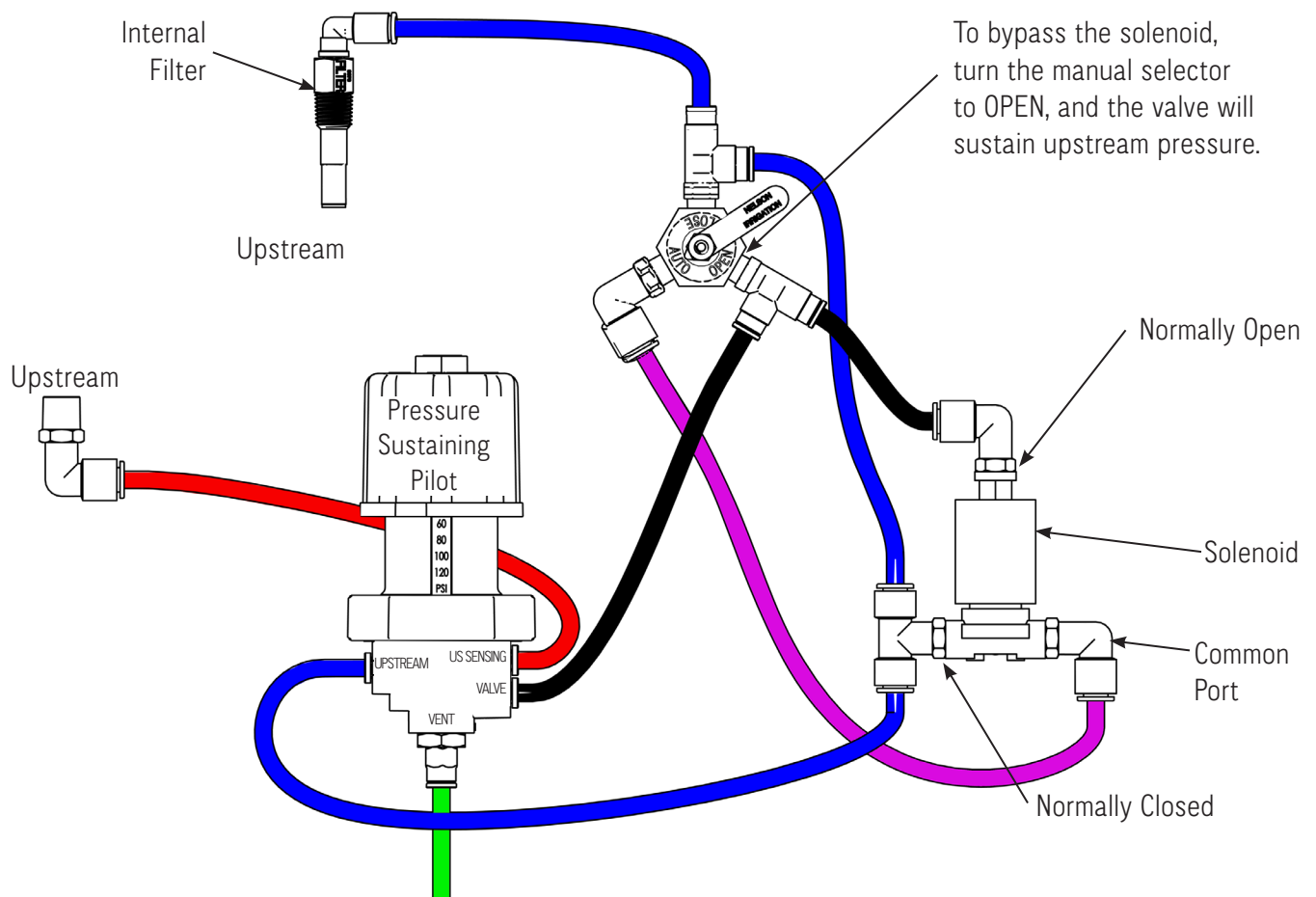
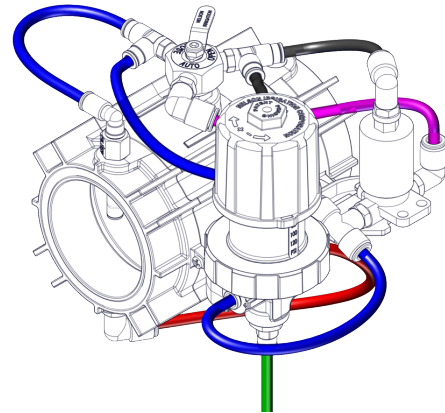
Solenoid Logic L05 - CLOSED/SUSTAINING*

Valve Function with the Manual Selector in AUTO

Solenoid ENERGIZED: the valve is CLOSED

Solenoid DE-ENERGIZED: the valve will open when UPSTREAM pressure exceeds set point on pilot, then discharge water as required to maintain the pressure set point.

*when using this configuration above 50 psi, a special normally closed solenoid must be used. Contact factory for details



PRESSURE SUSTAINING WITH SOLENOID — External Filter

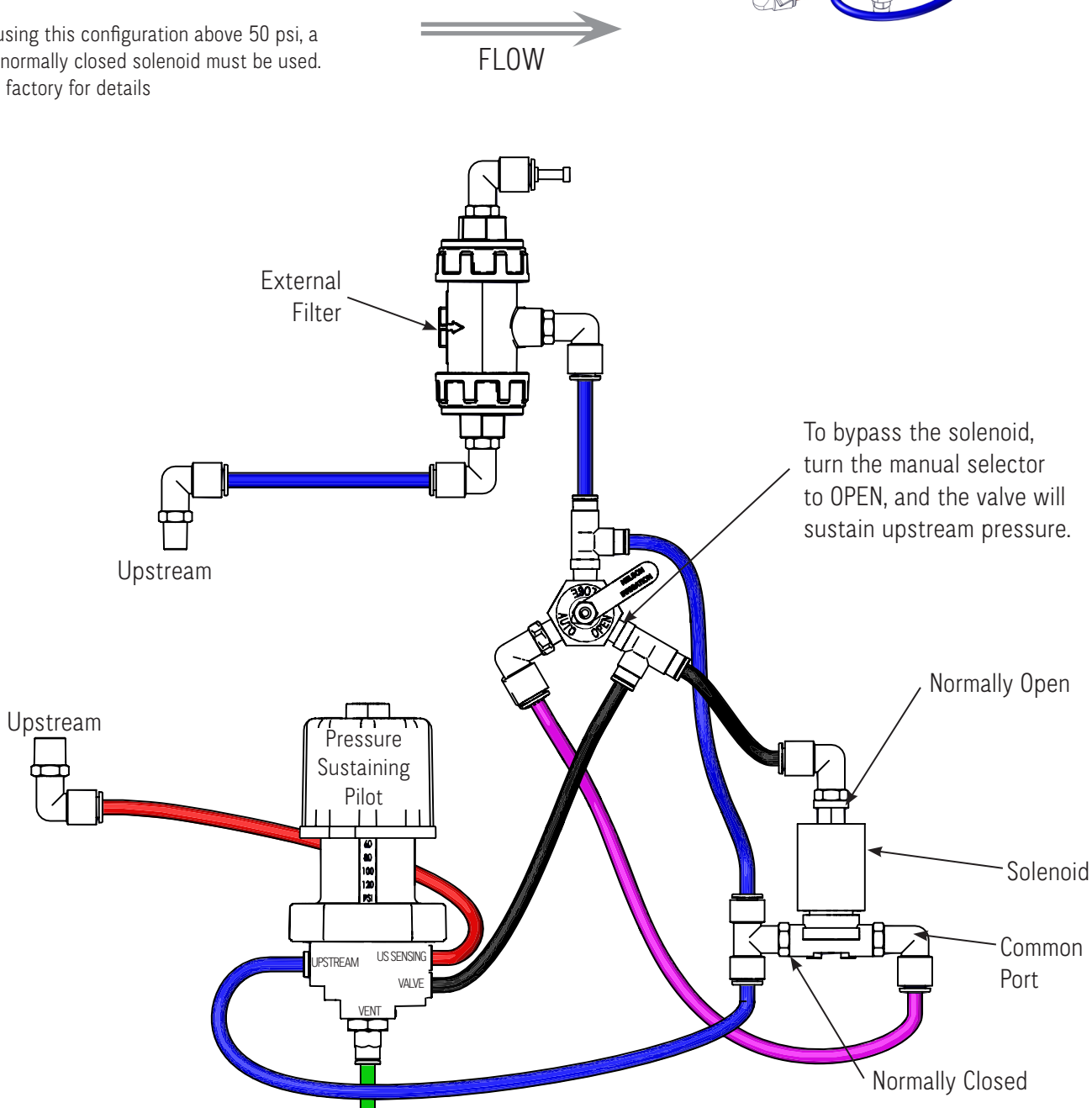
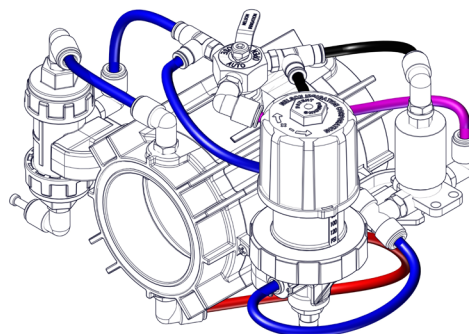
Solenoid Logic L05 - CLOSED/SUSTAINING*

Valve Function with the Manual Selector in AUTO

Solenoid ENERGIZED: the valve is CLOSED

Solenoid DE-ENERGIZED: the valve will open when UPSTREAM pressure exceeds set point on pilot, then discharge water as required to maintain the pressure set point.

*when using this configuration above 50 psi, a special normally closed solenoid must be used. Contact factory for details



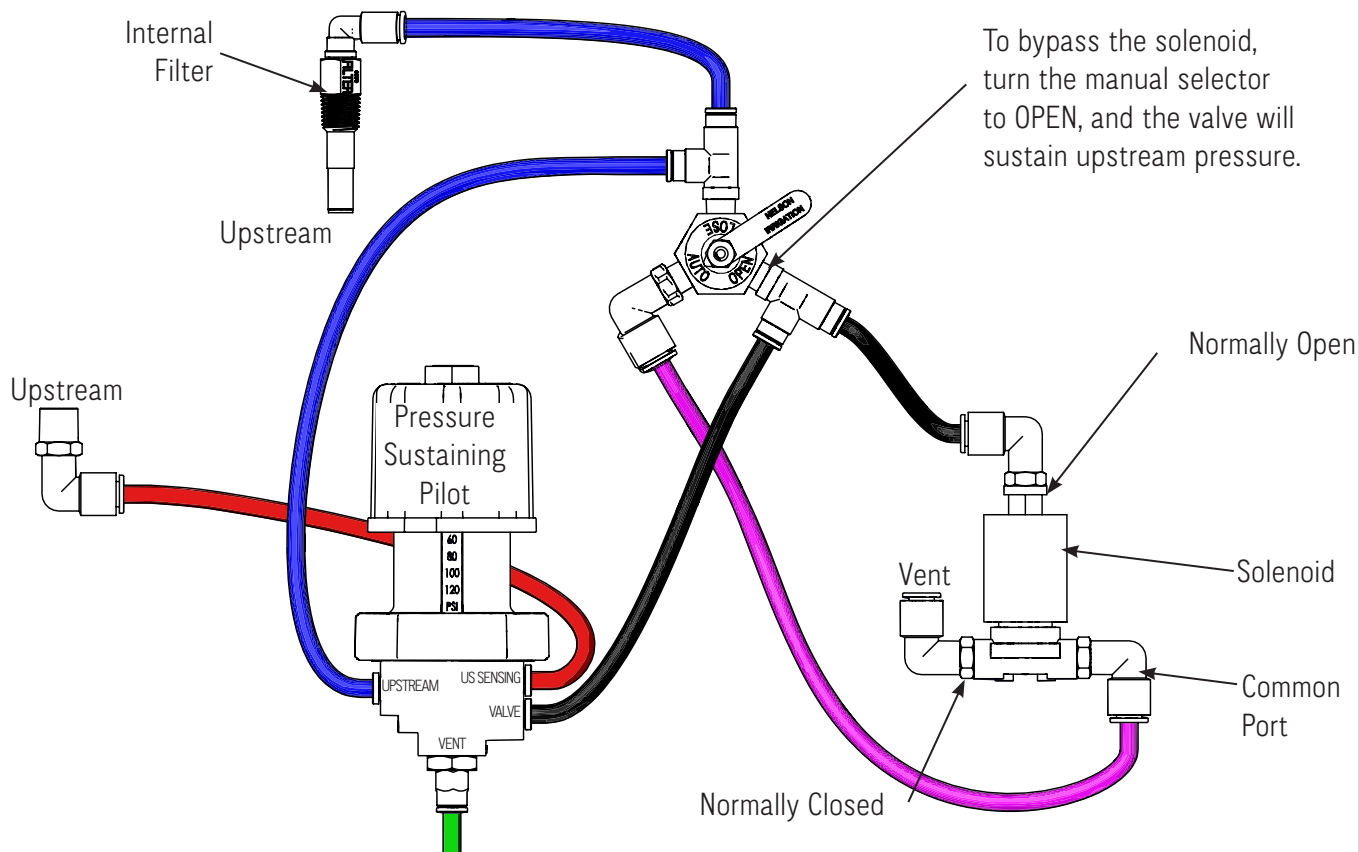
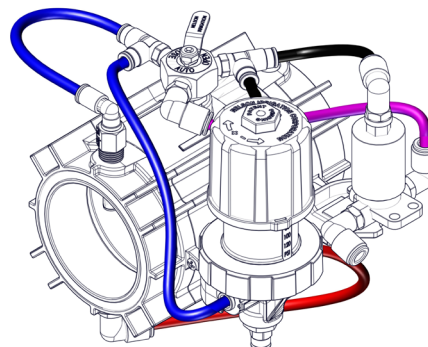
PRESSURE SUSTAINING WITH SOLENOID — Internal Filter

Solenoid Logic L06 - OPEN/SUSTAINING

Valve Function with the Manual Selector in AUTO

Solenoid ENERGIZED: the valve is OPEN

Solenoid DE-ENERGIZED: the valve will open when UPSTREAM pressure exceeds set point on pilot, then discharge water as required to maintain the pressure set point.



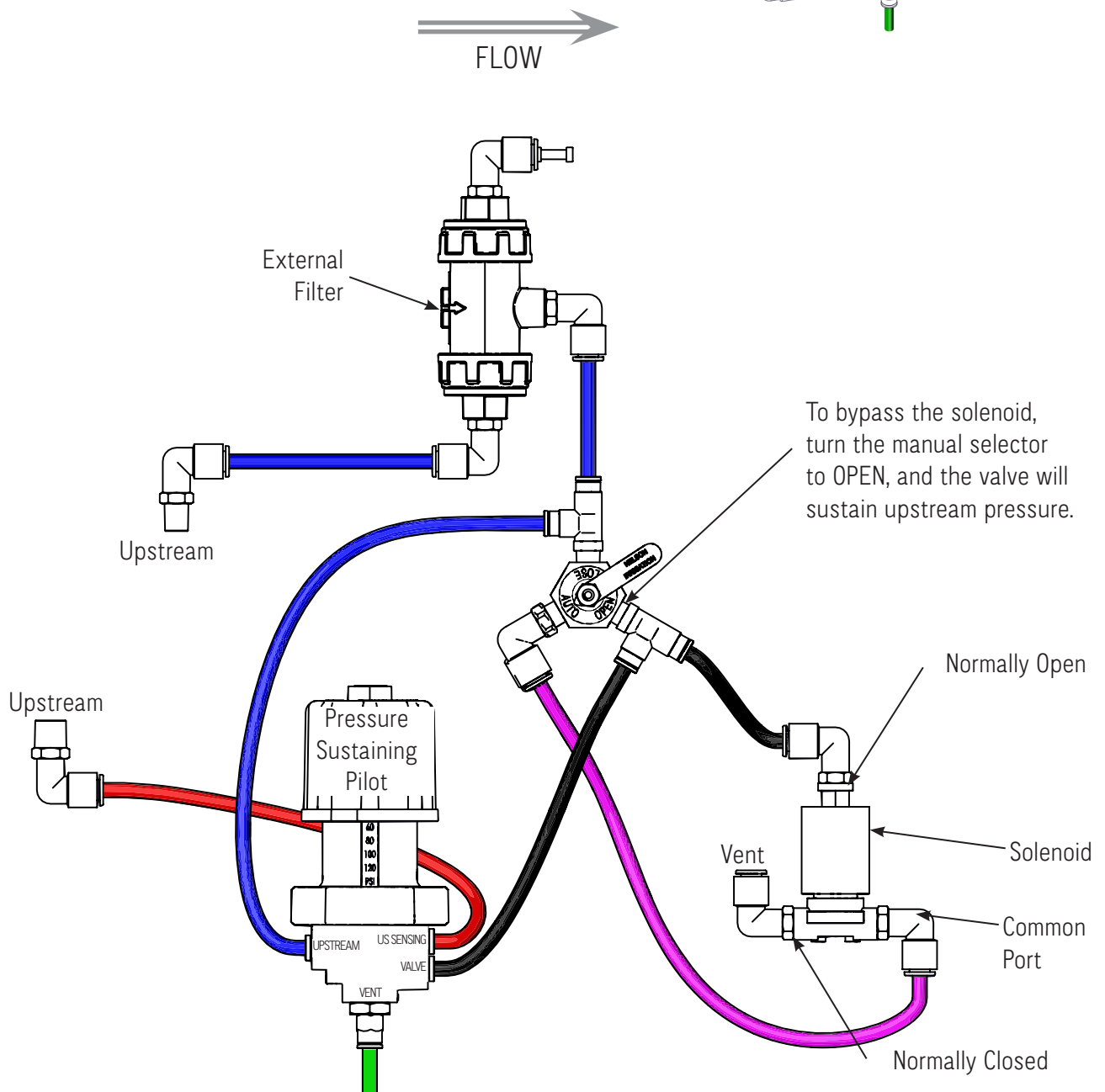
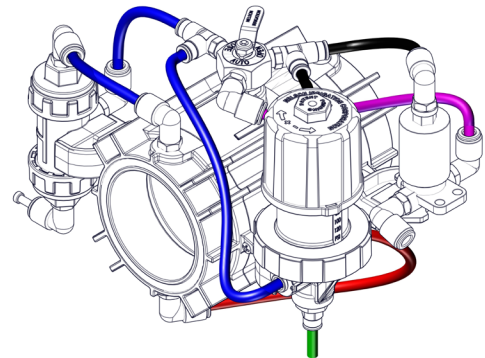
PRESSURE SUSTAINING WITH SOLENOID – External Filter

Solenoid Logic L06 - OPEN/SUSTAINING

Valve Function with the Manual Selector in AUTO

Solenoid ENERGIZED: the valve is OPEN

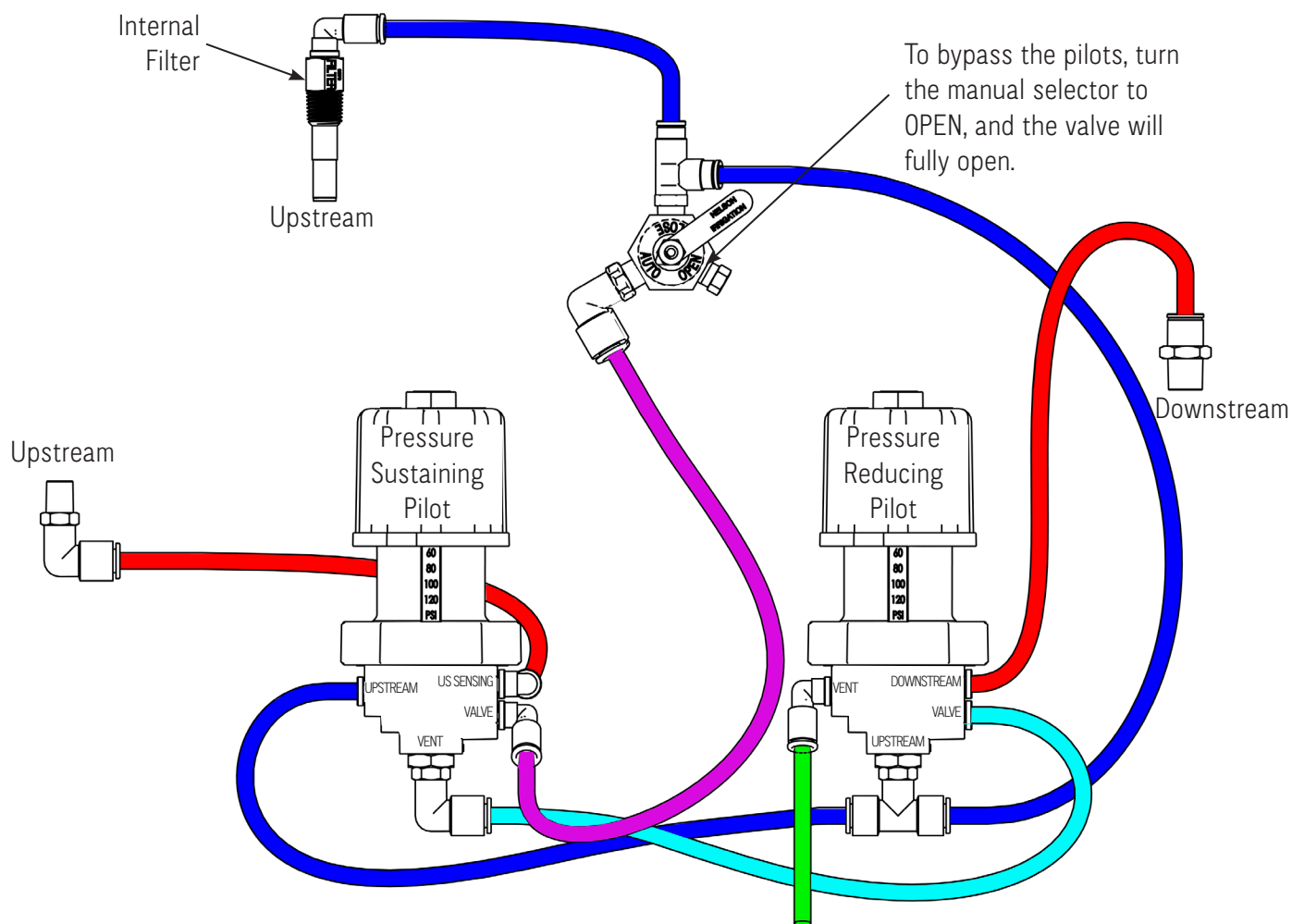
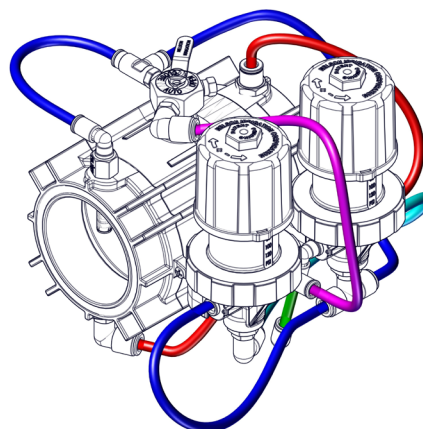
Solenoid DE-ENERGIZED: the valve will open when UPSTREAM pressure exceeds set point on pilot, then discharge water as required to maintain the pressure set point.



COMBINATION PRESSURE REDUCING/SUSTAINING — Internal Filter

Valve Function with the Manual Selector in AUTO

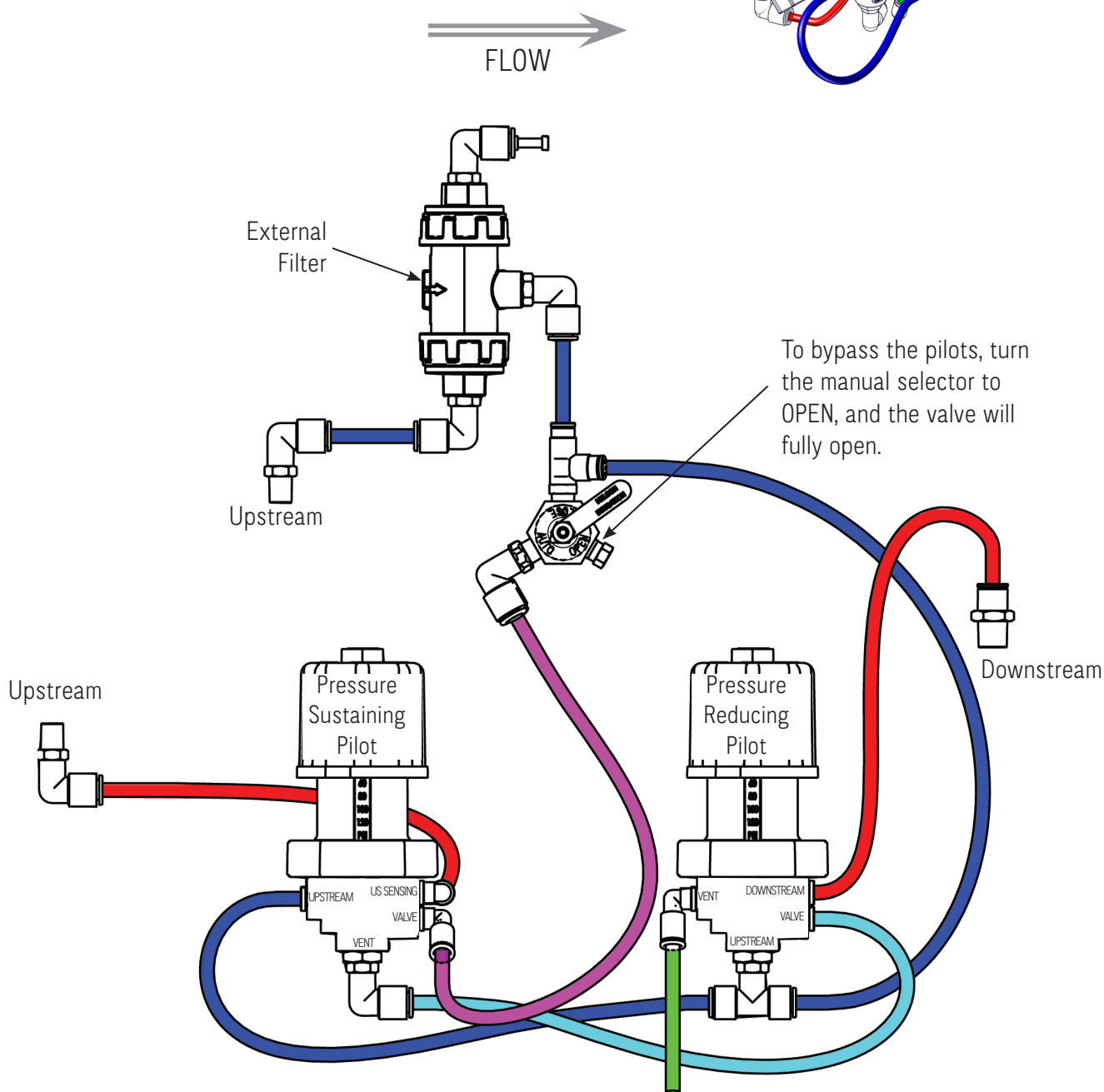
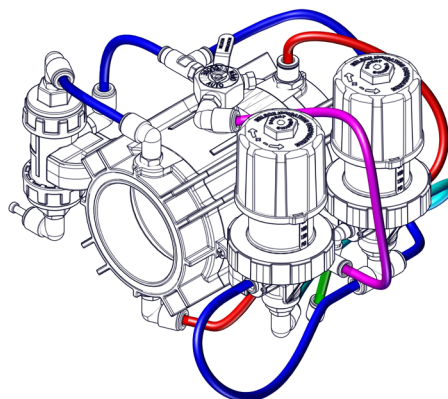
Valve is CLOSED until UPSTREAM pressure exceeds the set point on the SUSTAINING pilot. Then, the valve will begin to open until DOWNSTREAM pressure rises to the set point on the REDUCING pilot. The valve will then accurately maintain a constant downstream pressure. Note: if at any time the upstream pressure drops below the setting on the sustaining pilot then the valve will close.



COMBINATION PRESSURE REDUCING/SUSTAINING — External Filter

Valve Function with the Manual Selector in AUTO

Valve is CLOSED until UPSTREAM pressure exceeds the set point on the SUSTAINING pilot. Then, the valve will begin to open until DOWNSTREAM pressure rises to the set point on the REDUCING pilot. The valve will then accurately maintain a constant downstream pressure. Note: if at any time the upstream pressure drops below the setting on the sustaining pilot then the valve will close.

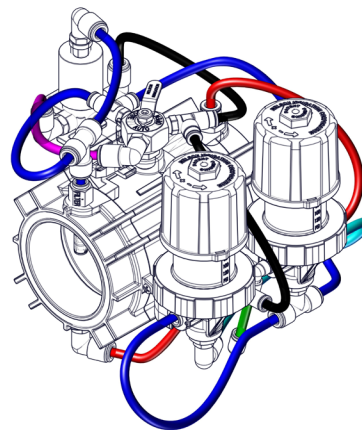


COMBINATION PRESSURE REDUCING/SUSTAINING — internal Filter

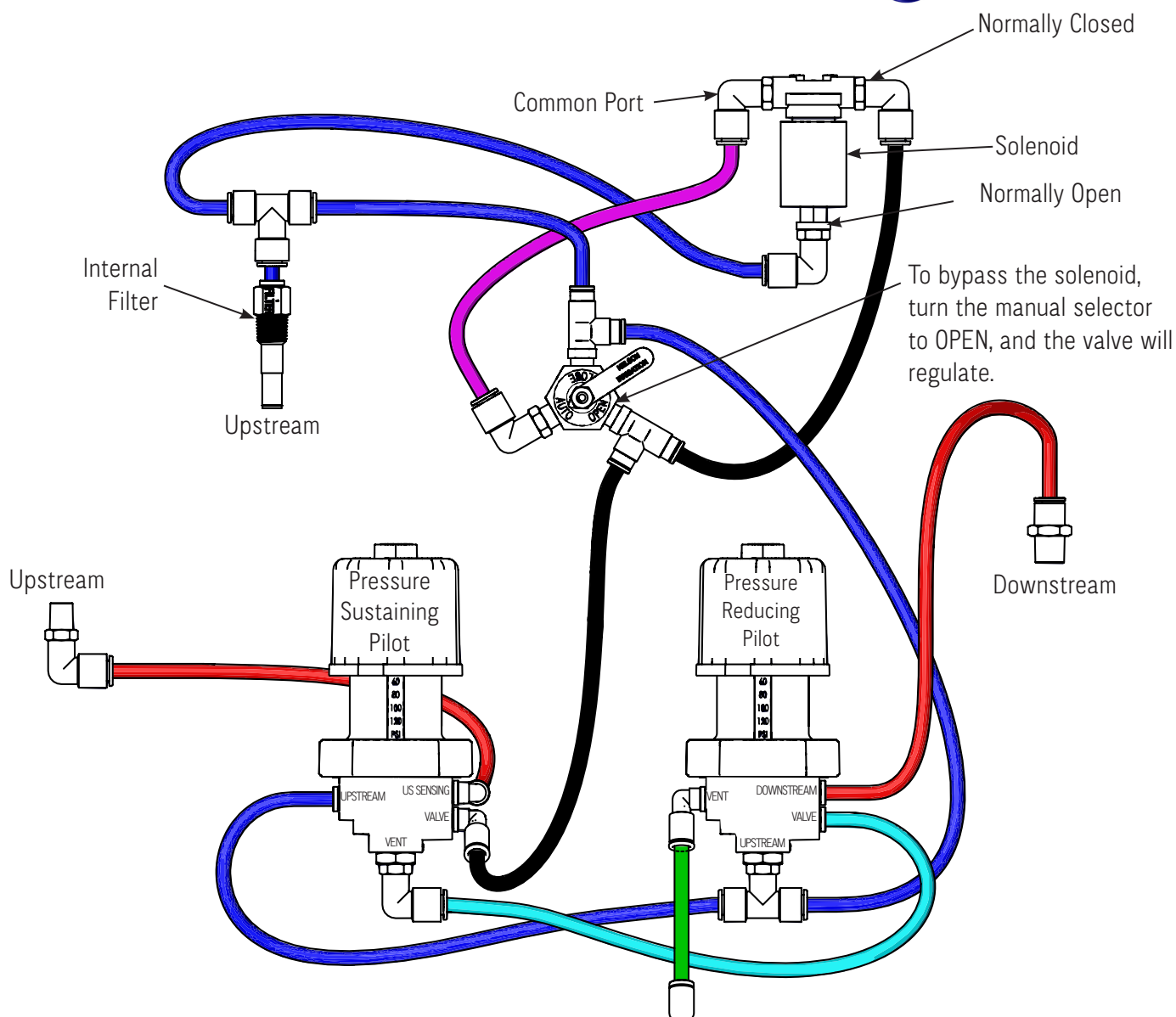
Solenoid Logic L09 - SUSTAINING-REDUCING/CLOSED

Valve Function with the Manual Selector in AUTO

Solenoid ENERGIZED: Valve is CLOSED until UPSTREAM pressure exceeds the set point on the SUSTAINING pilot. Then, the valve will begin to open until DOWNSTREAM pressure rises to the set point on the REDUCING pilot. The valve will then accurately maintain a constant downstream pressure. Note: if at any time the upstream pressure drops below the setting on the sustaining pilot then the valve will close.



Solenoid DE-ENERGIZED: the valve is CLOSED

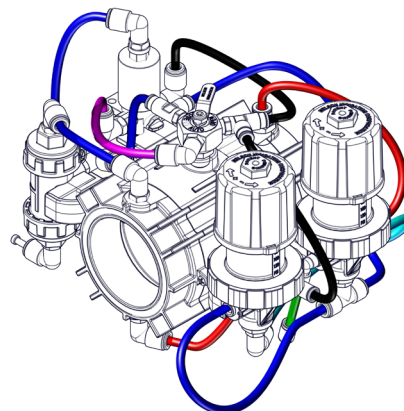


COMBINATION PRESSURE REDUCING/SUSTAINING – External Filter

Solenoid Logic L09 - SUSTAINING-REDUCING/CLOSED

Valve Function with the Manual Selector in AUTO

Solenoid ENERGIZED: Valve is CLOSED until UPSTREAM pressure exceeds the set point on the SUSTAINING pilot. Then, the valve will begin to open until DOWNSTREAM pressure rises to the set point on the REDUCING pilot. The valve will then accurately maintain a constant downstream pressure. Note: if at any time the upstream pressure drops below the setting on the sustaining pilot then the valve will close.



Solenoid DE-ENERGIZED: the valve is CLOSED

