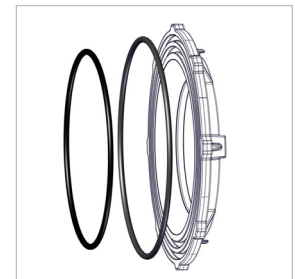
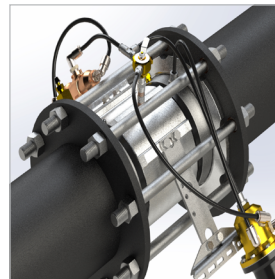
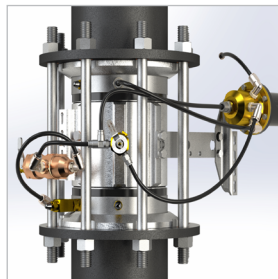


800 SERIES FLANGE ADAPTERS

Flange adapter kits for 4" and 6" valves are an economical way to install the valve in the next larger pipe size.

Description	Kit Part Number	Included Stud Kit
4" Valve x 6" Flange Adapter Kit	11433	-
4" Valve x 6" Flange Adapter Kit, with stud kit	11433-001	8976
6" Valve x 8" Flange Adapter Kit	12225	-
6" Valve x 8" Flange Adapter Kit, with stud kit	12225-001	9524



FLANGE ADAPTER KIT FEATURES:

- Allows installation of the valve in the next larger pipe size.
- Available for 4" and 6" 800 Series Valves.
- Eliminates the need for expensive cone reducers and/or in-field welding.
- Valve with flange adapters is equal in length to the next larger valve size, making it easy to replace an existing Nelson valve that was oversized.
- Self-centering design simplifies installation and alignment.

EXTENSION HARDWARE INSTALLATION STEPS

Install manual selector extension (Figure 1)

1. Unscrew the manual selector from the valve.
2. Thread the 1/4" coupler (#8970-007) onto the manual selector. Use teflon tape on the threads to prevent leaks.
3. Thread the 1/4" pipe nipple (#9369-020) into the coupler.
4. Thread the manual selector with extension nipple into the valve.

Install extension bracket (Figure 2)

Note: The extension bracket is intended for use with the solenoid and/or pressure control pilot mounting bracket. If the valve does not have a solenoid or a pressure control pilot, the extension bracket is not necessary. The extension bracket is also not necessary for external filter mounting brackets (if equipped).

1. Remove the existing mounting bracket for the solenoid and/or pressure control pilot from the valve.
2. Mount the extension bracket (#9325) to the valve using the 5/16" bolts (#10217) and lock washers (#7029)
3. Mount the solenoid/pressure control pilot mounting bracket to the extension bracket using 1/4" bolts (#6818), washers (#8904) and nuts (#6060)
4. Bend the extension bracket as necessary to provide the desired angle of installation.

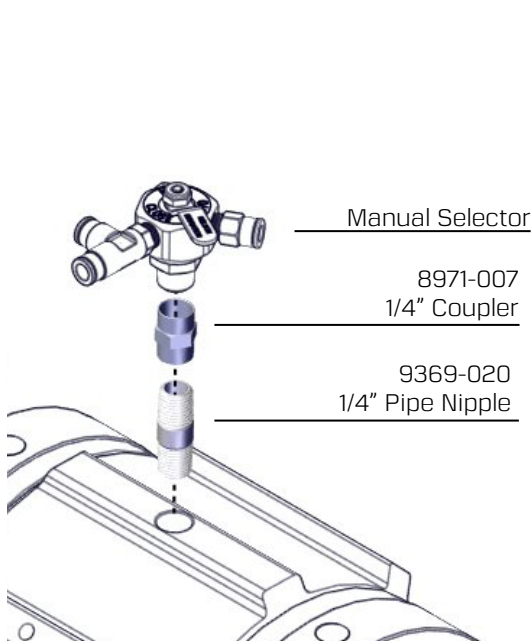


Figure 1. Installation of manual selector extension parts.

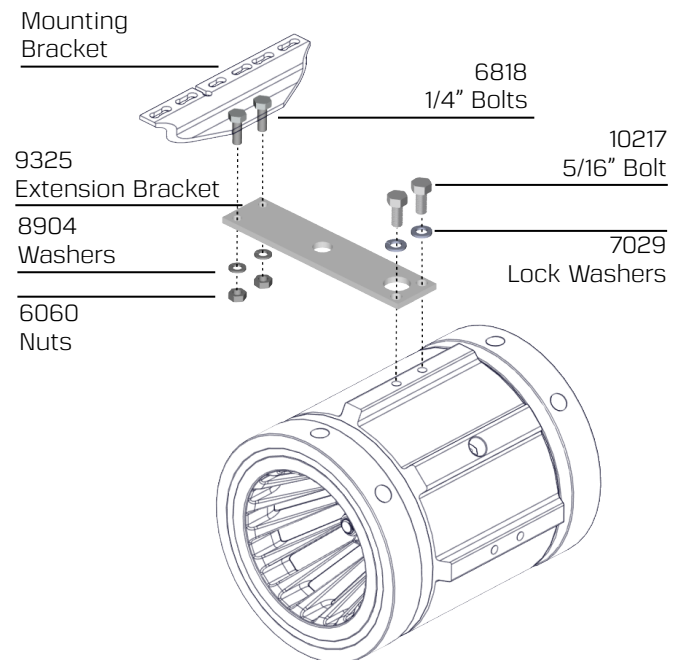


Figure 2. Extension bracket installation for solenoid and/or pressure control mounting bracket.