

KITS

REMOTE-MOUNT MODELS

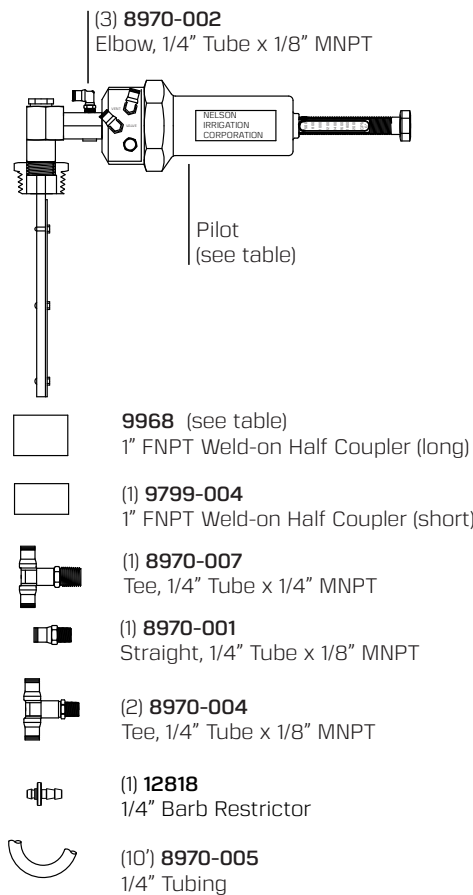
MODEL #	PIPE SIZE	FLOW (GPM)	KIT #	PILOT #	#9968 HALF COUPLER (QTY)
D18-1	3"	120-400	9778-005	9967-001	1
D18-2	4"	200-550	9778-006	9967-002	1
D18-3	6"	350-1000	9778-007	9967-003	1
D18-4	6"	500-2000	9778-003	9777-007	0
D18-5	8"	500-1550	9778-008	9967-004	1
D18-6	8"	900-3800	9778-001	9777-008	0

IN-VALVE MODELS

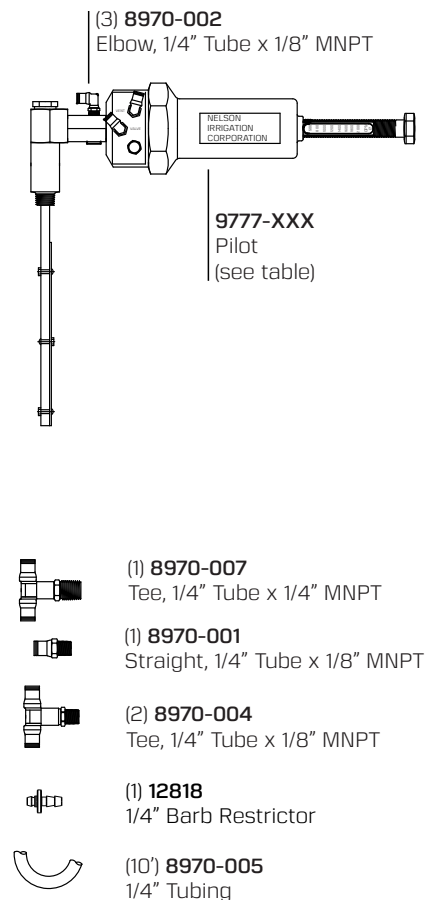
MODEL #	VALVE SIZE	FLOW (GPM)	KIT #	PILOT #
*	6"	500-2000	9778-004	9777-005
*	8"	900-3800	9778-002	9777-006

*Available as an aftermarket/retrofit kit only.

Remote-Mount Kits



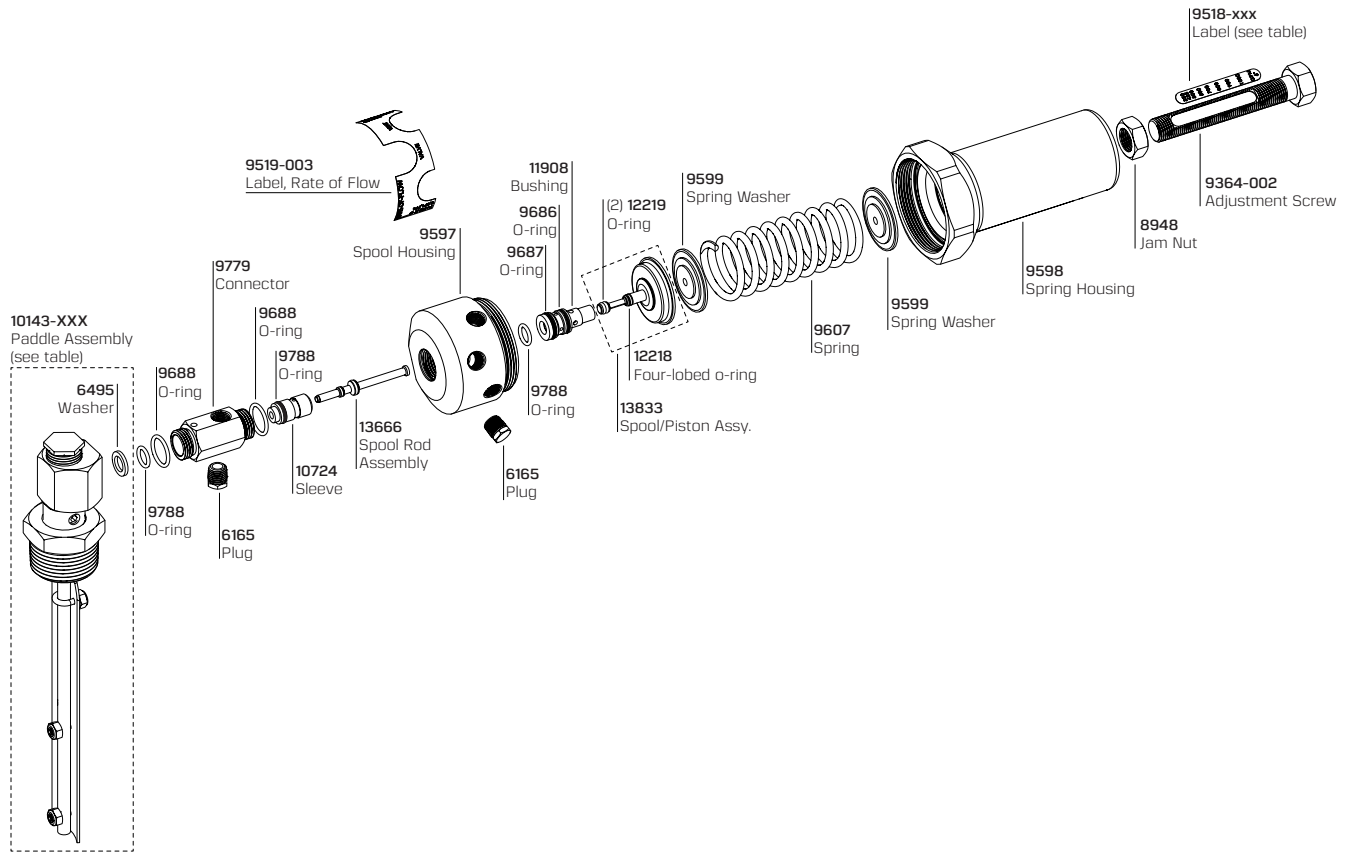
In-Valve Kits



PILOT PARTS

MODEL #	PIPE SIZE	FLOW (GPM)	PILOT	LABEL	PADDLE ASSEMBLY*
Remote-Mount Models					
D18-1	3"	120-400	9967-001	9518-150	10143-001
D18-2	4"	200-550	9967-002	9518-160	10143-002
D18-3	6"	350-1000	9967-003	9518-170	10143-003
D18-4	6"	500-2000	9777-007	9518-140	10143-006
D18-5	8"	500-1550	9967-004	9518-180	10143-004
D18-6	8"	900-3800	9777-008	9518-130	10143-006
In-Valve Models					
-	6"	500-2000	9777-005	9518-140	10143-005
-	8"	900-3800	9777-006	9518-130	10143-005

*See following page for paddle assembly parts.

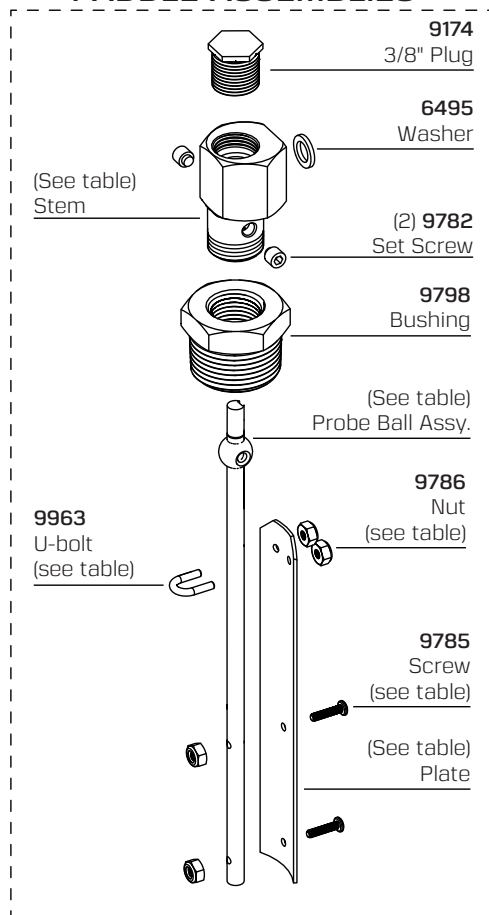


Note: New internal parts of the Rate-of-Flow Control Pilots were put into production beginning 1/1/2014. The internal parts in pre-2014 pilots cannot be serviced without first being rebuilt using upgrade kit (#12305-001). Service kits (#12305-002) are available to rebuild pilots manufactured or upgraded after 1/1/2014. The upgrade and service kits fit all models of Rate-of-Flow pilots. See page 4.

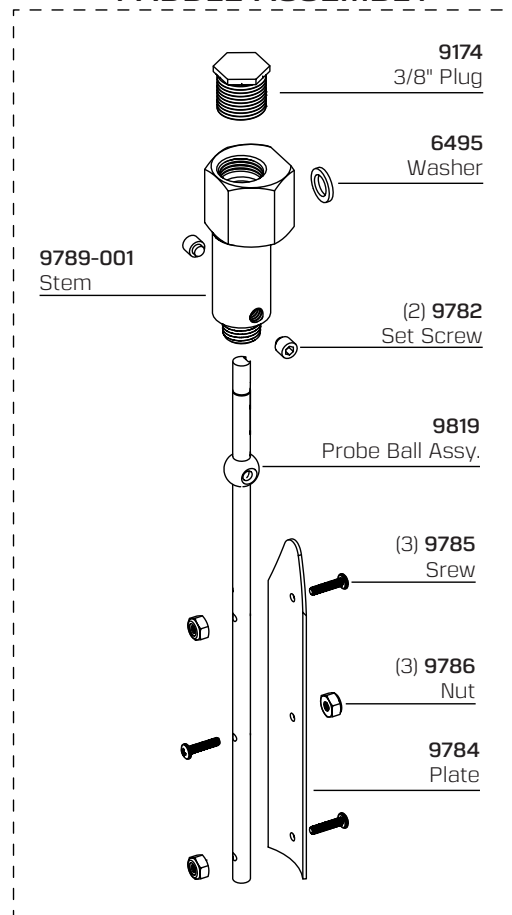
PADDLE ASSEMBLY PARTS

MODEL #	PIPE SIZE	FLOW (GPM)	PADDLE ASSEMBLY	STEM	PROBE/BALL ASSY	PLATE	9785 SCREW (QTY.)	9786 NUT (QTY.)	9963 U-BOLT (QTY.)
Remote-Mount Models									
D18-1	3"	120-400	10143-001	9935	9966-001	9965-001	1	3	1
D18-2	4"	200-550	10143-002	9935	9966-002	9965-002	1	3	1
D18-3	6"	350-1000	10143-003	9935	9966-003	9965-003	2	4	1
D18-4	6"	500-2000	10143-006	9789-002	9819	9784	3	3	0
D18-5	8"	500-1550	10143-004	9935	9966-004	9965-004	3	5	1
D18-6	8"	900-3800	10143-006	9789-002	9819	9784	3	3	0
In-Valve Models									
-	6"	500-2000	10143-005	9789-001	9819	9784	3	3	0
-	8"	900-3800	10143-005	9789-001	9819	9784	3	3	0

10143-XXX REMOTE PADDLE ASSEMBLIES

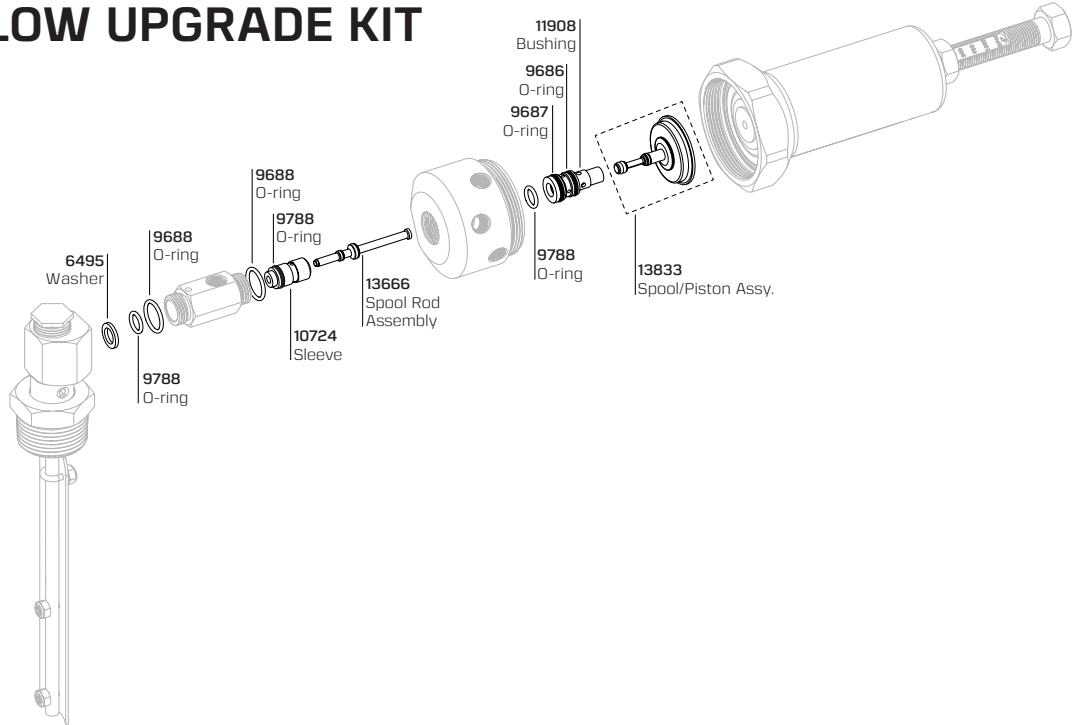


10143-005 IN-VALVE PADDLE ASSEMBLY



New internal parts of the Rate-of-Flow Control Pilots were put into production beginning 1/1/2014. The internal parts in pre-2014 pilots cannot be serviced without first being rebuilt using upgrade kit (#12305-001). Service kits (#12305-002) are available to rebuild pilots manufactured or upgraded after 1/1/2014. The upgrade and service kits fit all models of Rate-of-Flow pilots.

**RATE-OF-FLOW UPGRADE KIT
#12305-001**



**RATE-OF-FLOW SERVICE KIT
#12305-002**

